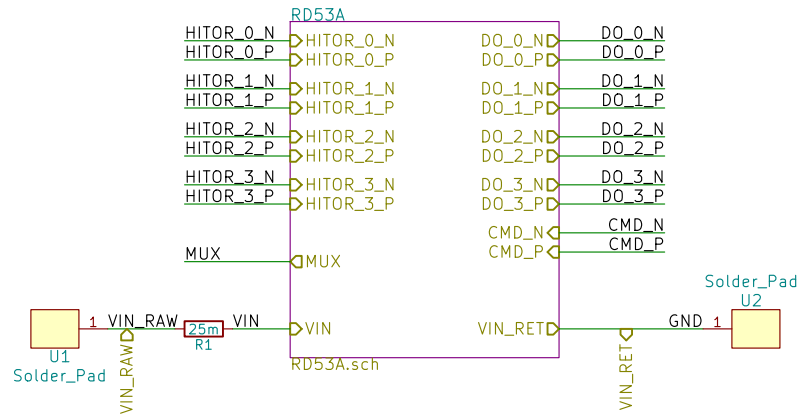
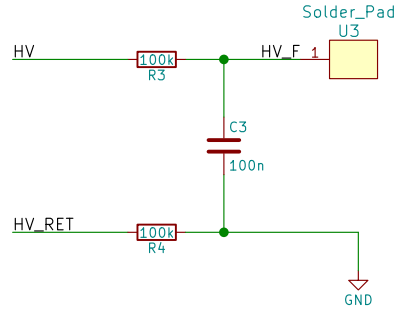
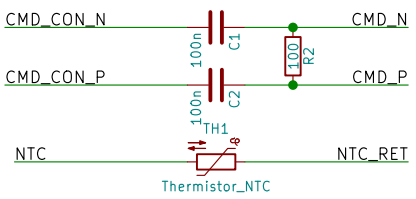
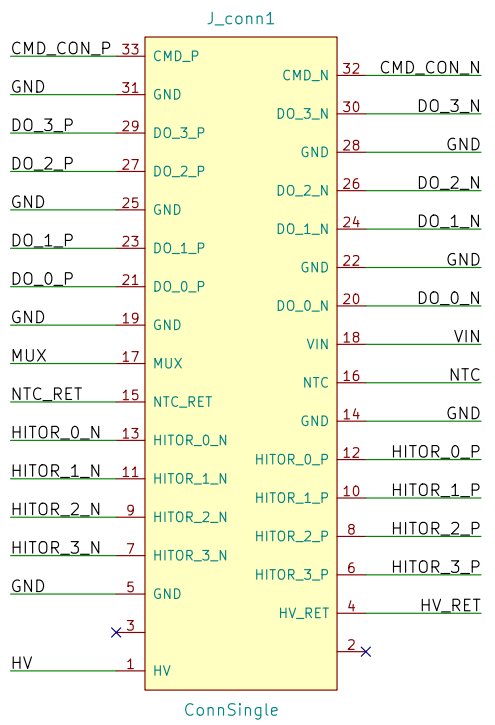
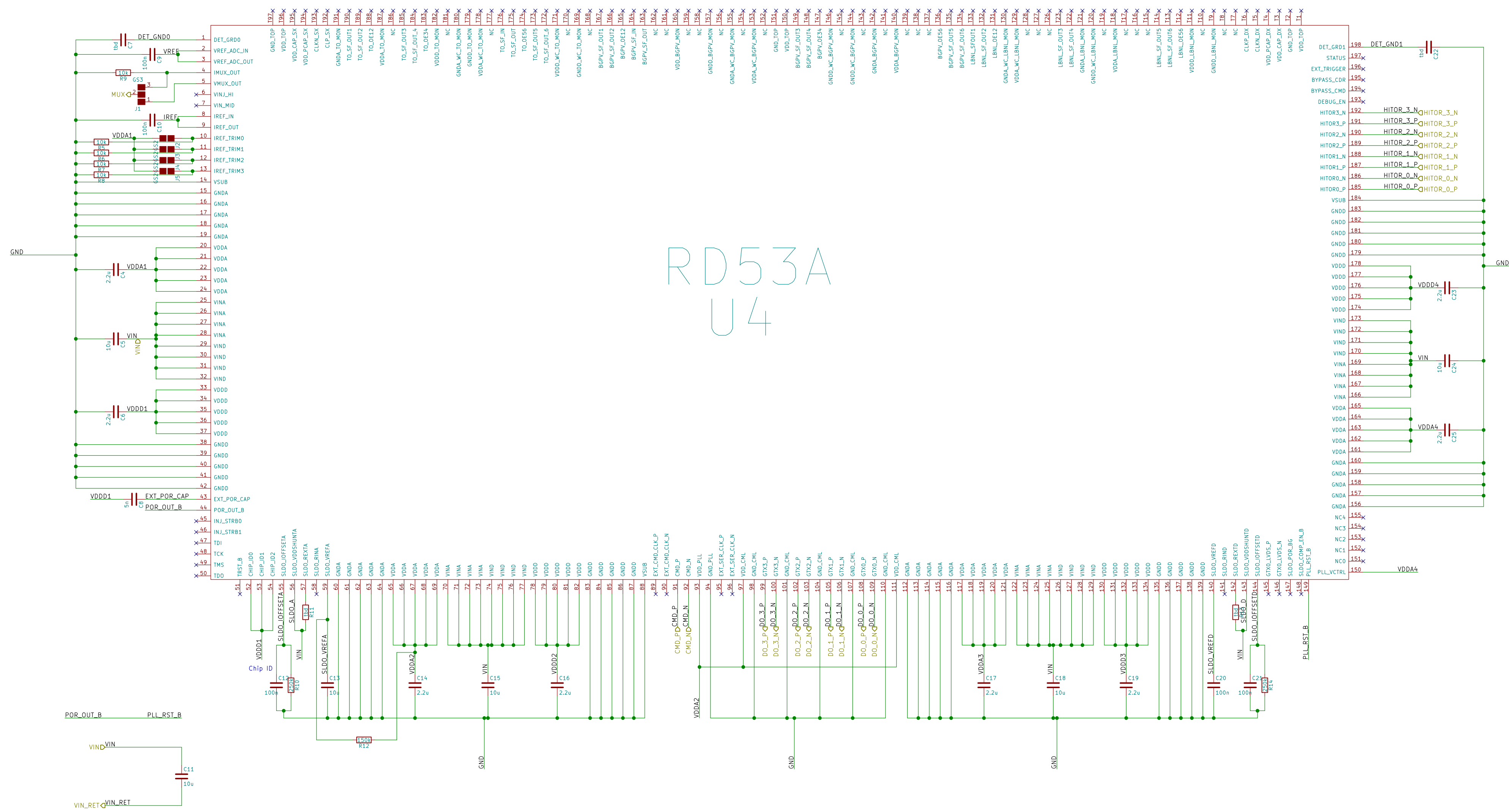
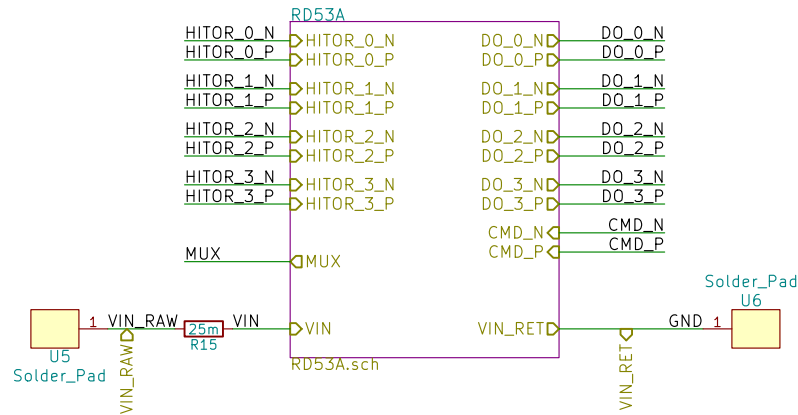
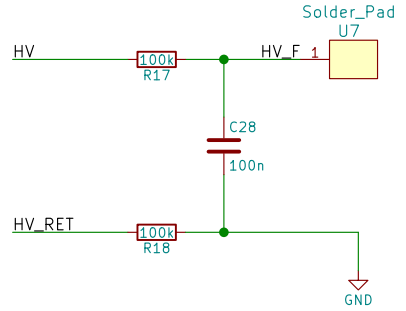
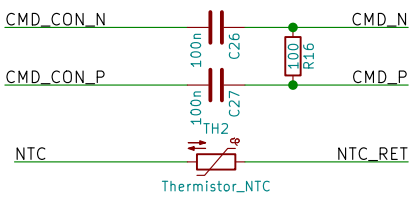
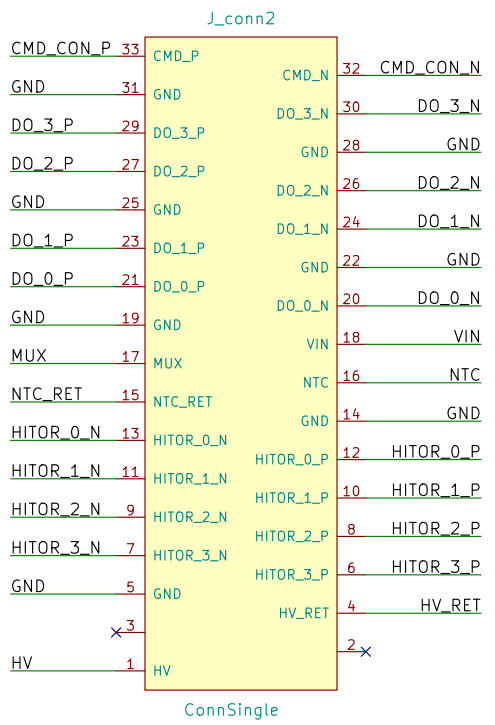


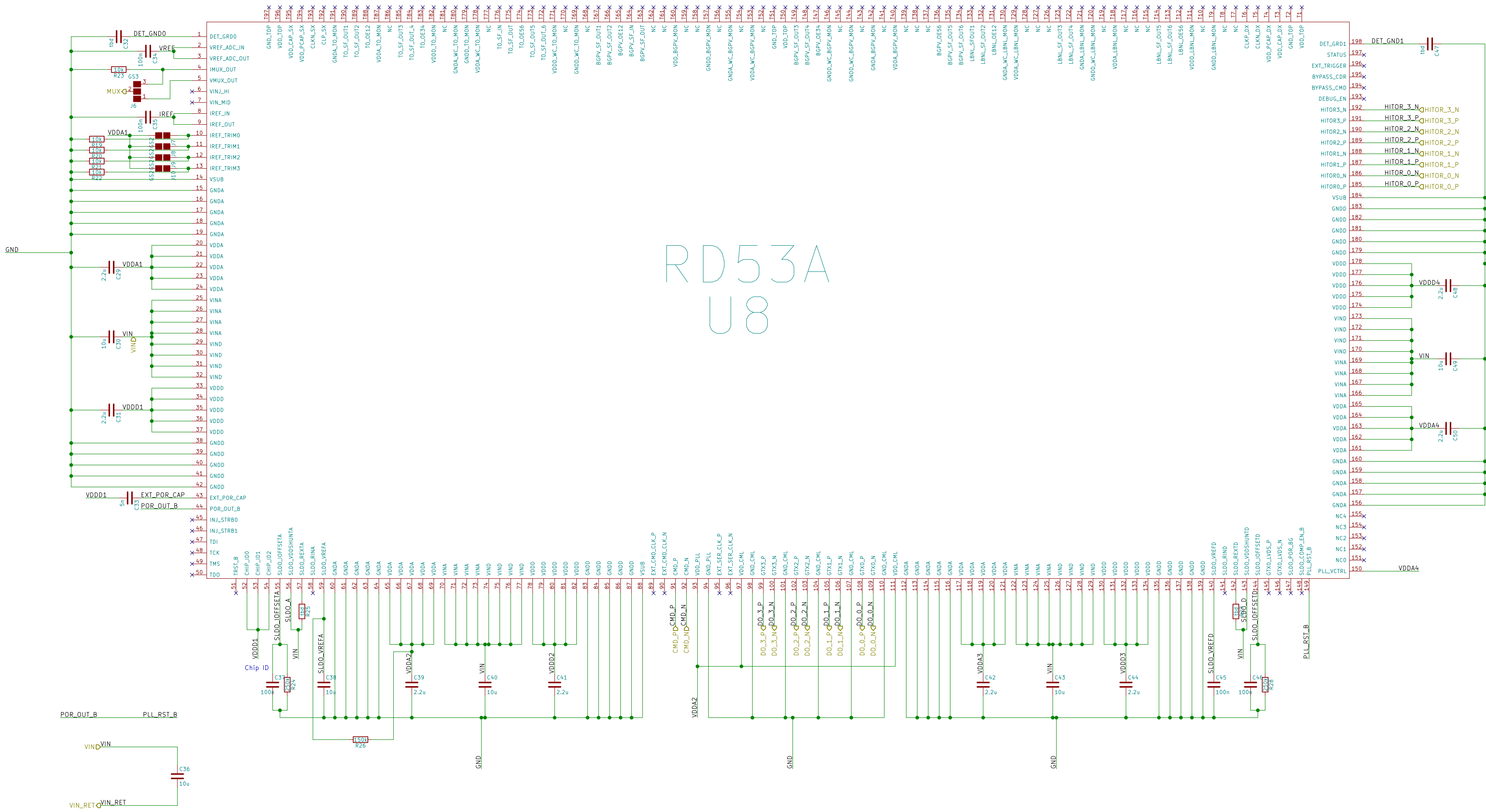
Sheet: /		Date:	
File: rd53a_hybrid_pseudoquad.sch			
Title: RD53A hybrid pseudoquad			
Size: A4	Date:		Rev: 2.0
KiCad E.D.A. kicad 4.0.6			Id: 1/9



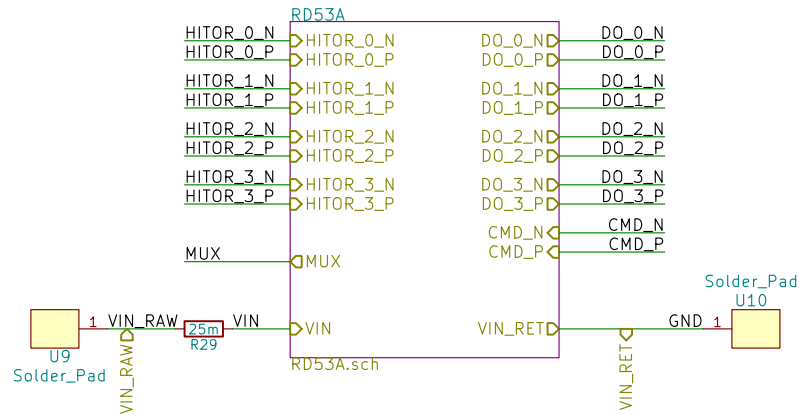
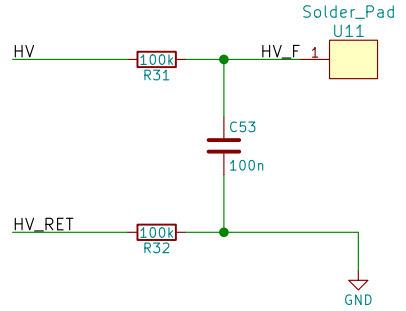
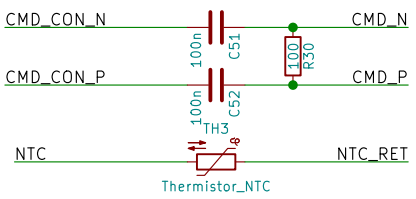
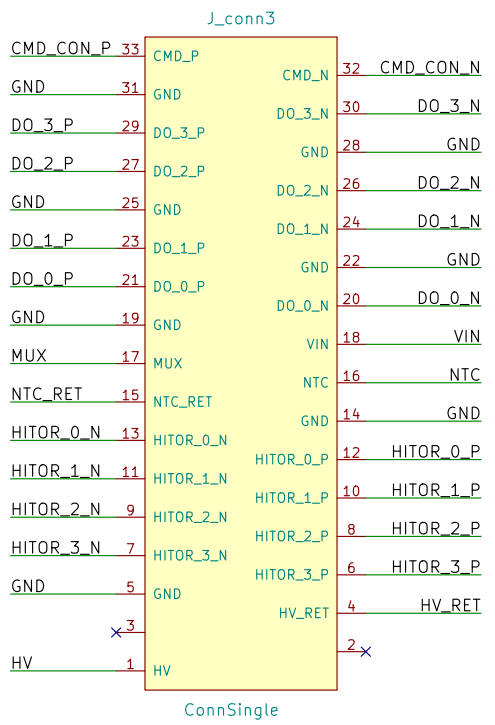
RD53A U4



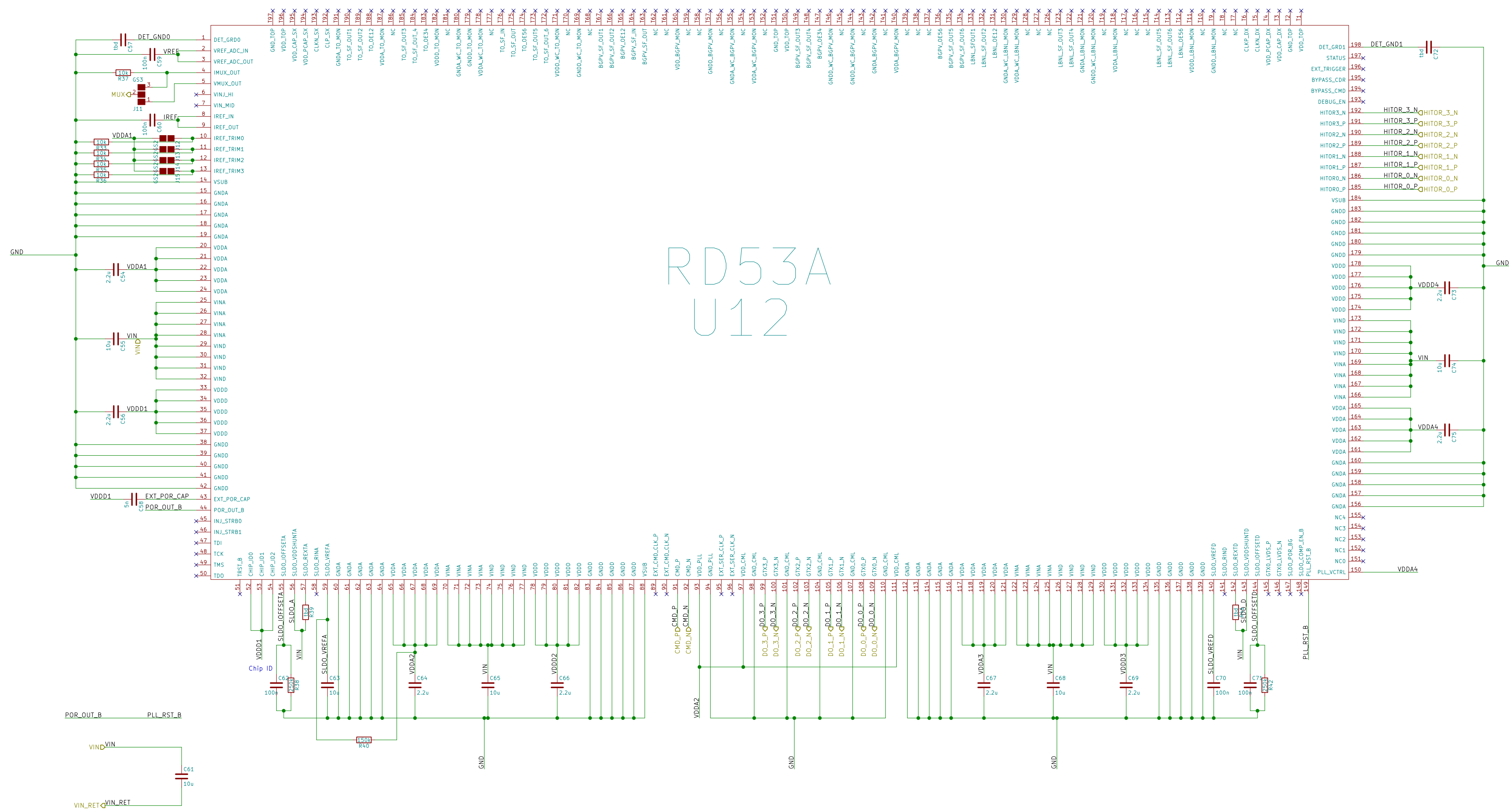


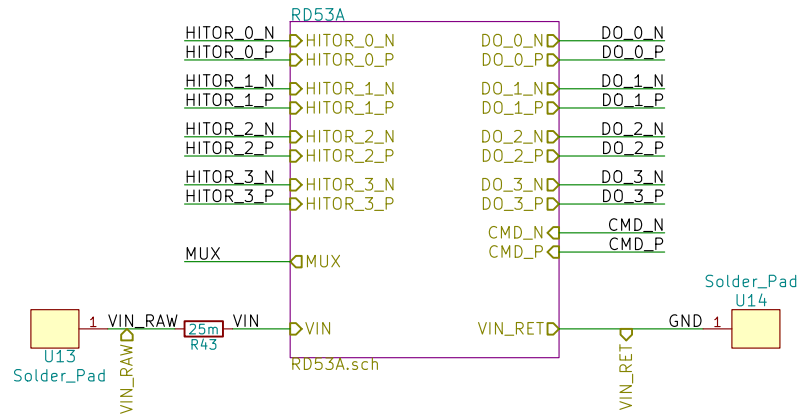
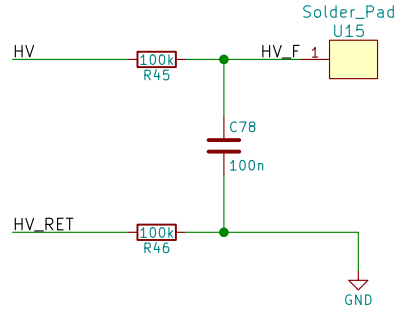
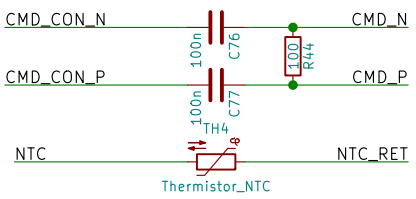
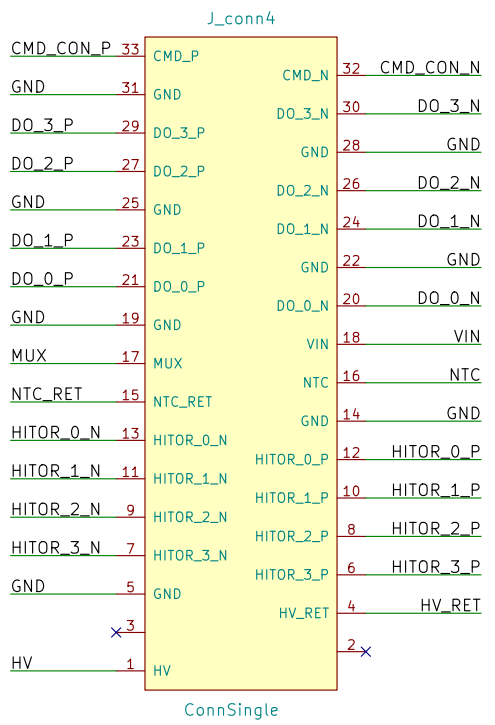


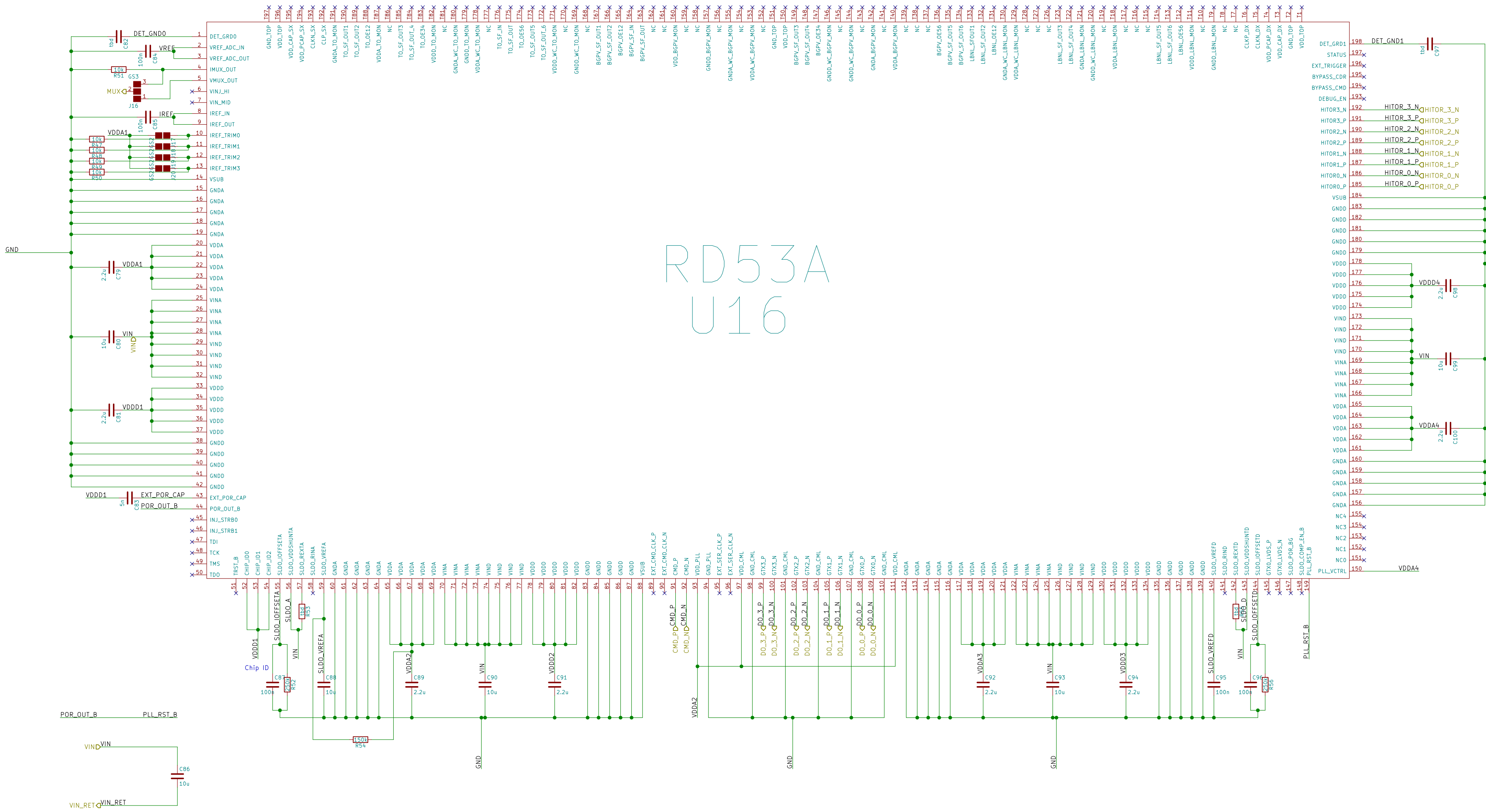
RD53A U8



RD53A U12







RD53A U16