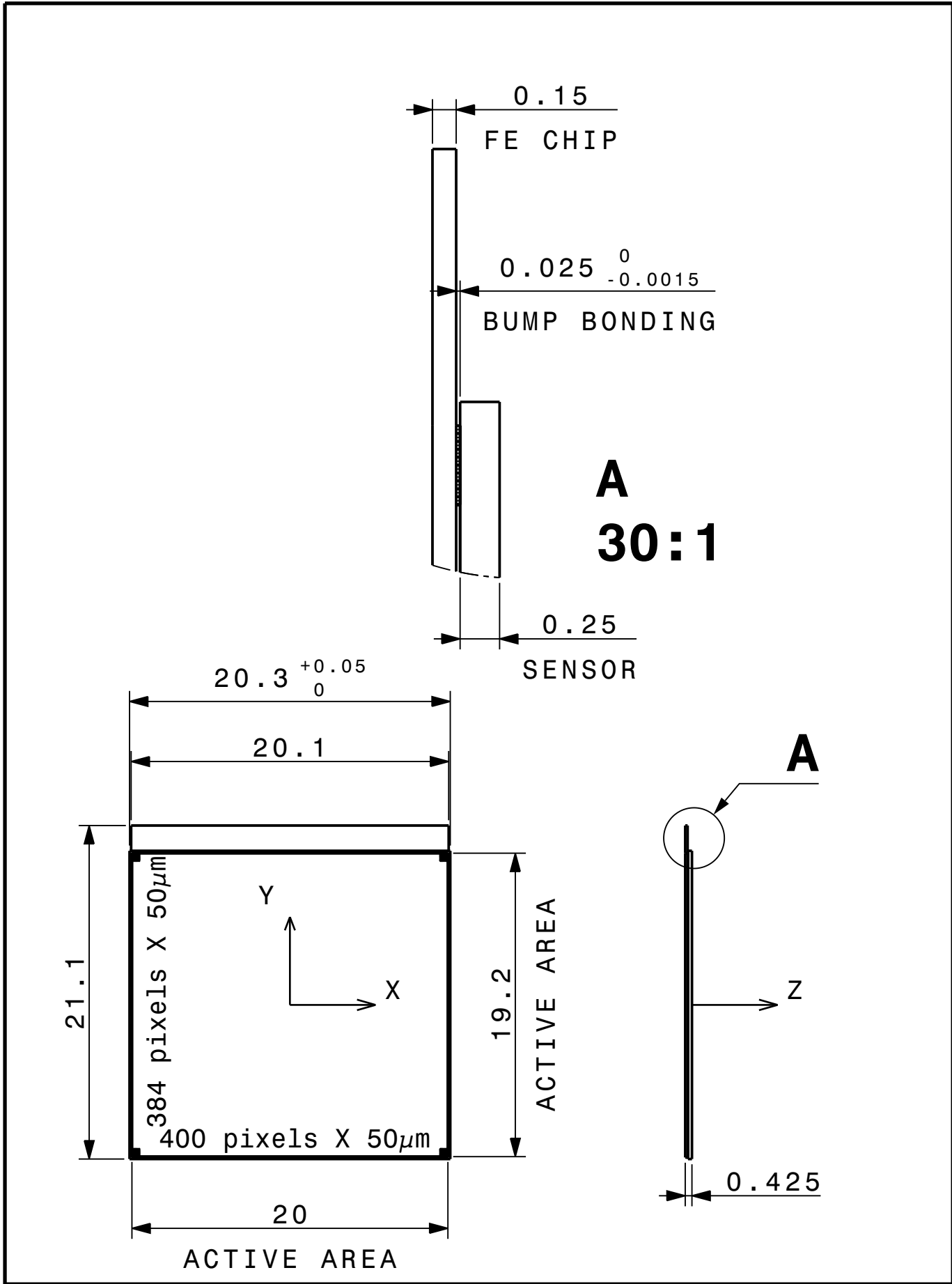


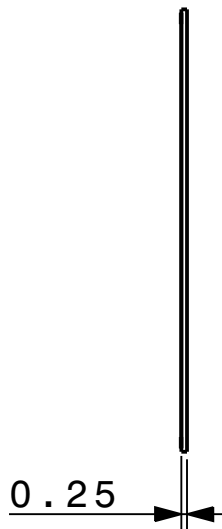
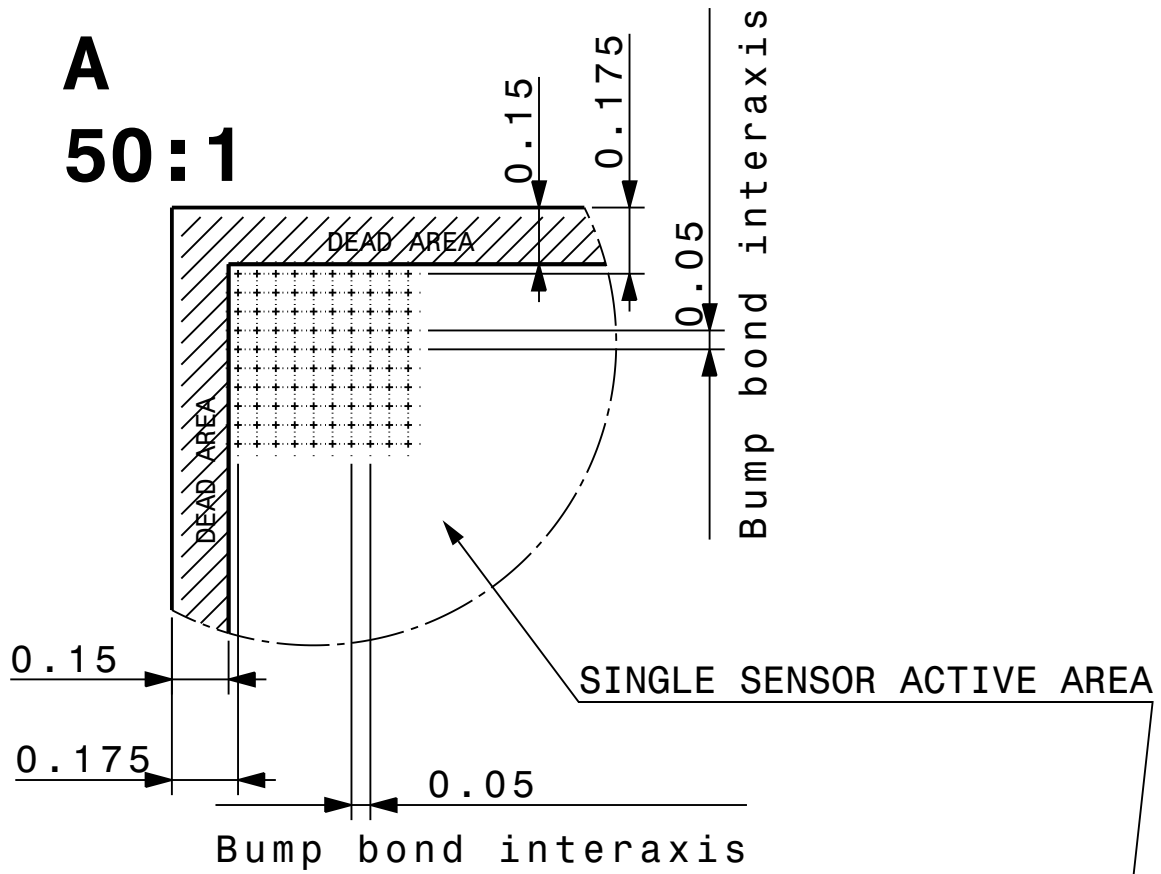
ORGANISATION EUROPEENNE POUR
LA RECHERCHE NUCLEAIRE
EUROPEAN ORGANIZATION FOR NUCLEAR RESEARCH
GENEVE

skin ne peut être utilisée à des fins commerciales sans autorisation écrite
drawing may not be used for commercial purposes without written authorisation

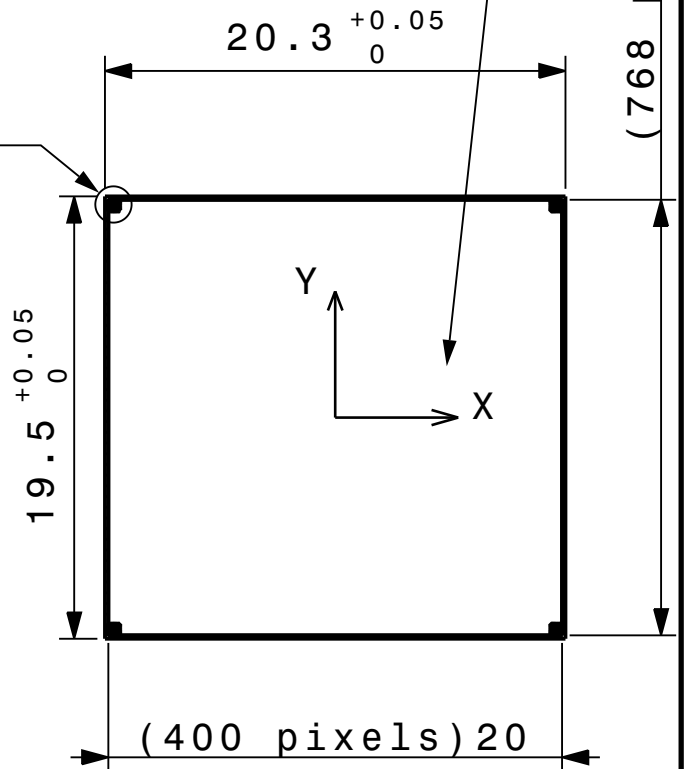


DESIGNATION ITk Pixel Bare Single Module 3D		DESIGNED M. JANDA	FORMAT A4
		CHECKED	
		RELEASED	SCALE 3:1
		APPROVED	
EQUIPMENT CODE		DESIGNED 2018-06-12	
	REFERENCES	Doc No: ST0967363_02	INDEX
EDMS AT2-IP-EP-0009 v.3 status Released-for info access Restricted		LABEL NOT VALID FOR EXECUTION	SHEET 1/1

A
50:1



A



ORGANISATION EUROPEENNE POUR
LA RECHERCHE NUCLEAIRE
EUROPEAN ORGANIZATION FOR NUCLEAR RESEARCH
GENEVE

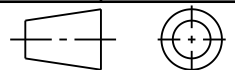
Ce dessin ne peut être utilisé à des fins commerciales sans autorisation écrite
This drawing may not be used for commercial purposes without written authorisation

DESIGNATION
ITk Pixel Single Sensor 250um

DESIGNED	M. JANDA	FORMAT A4
CHECKED		
RELEASED		SCALE 3:1
APPROVED		

EQUIPMENT CODE

DESIGNED
2018-06-12



REFERENCES

Doc No: ST0967362_02

INDEX

LABEL

NOT VALID FOR EXECUTION

QAC

SHEET

AT2-IP-EP-0009

1/1