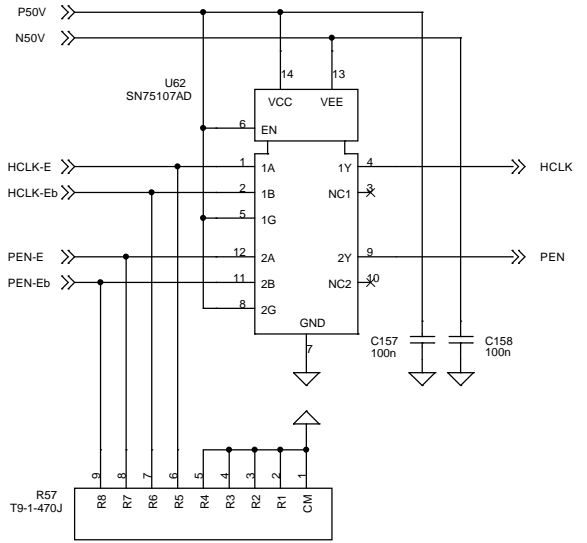
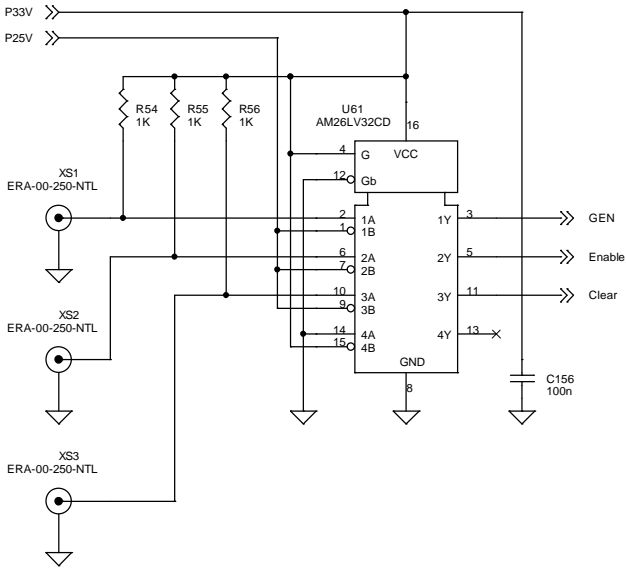
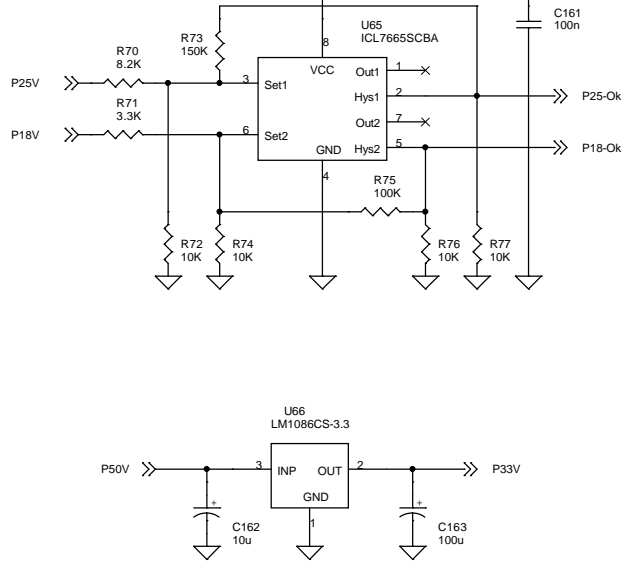
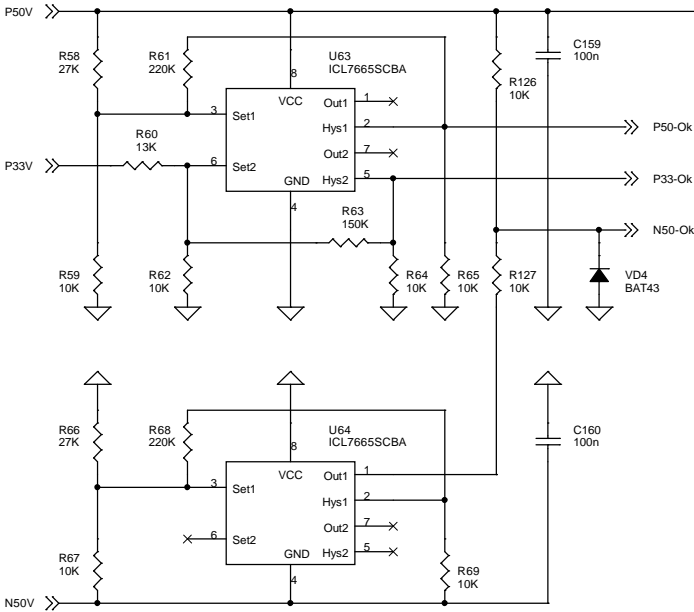


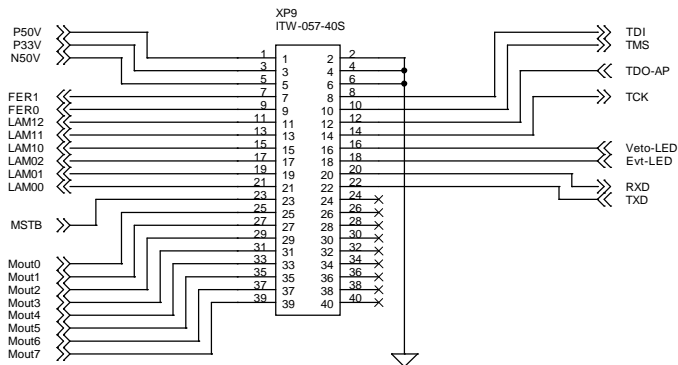
Differential receivers



Power supply watchdogs



Main card - to - piggyback connection



H.Henschel, I.Tsurin		
Title Auxiliary circuits		
Size	Document Number	Rev 1
BST Pad trigger system: Trigger card		
Date: Friday, September 23, 2005	Sheet 13	of 15