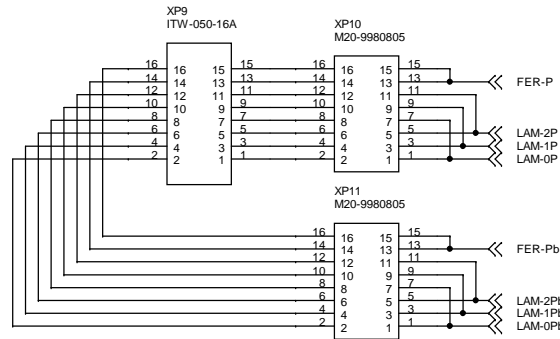
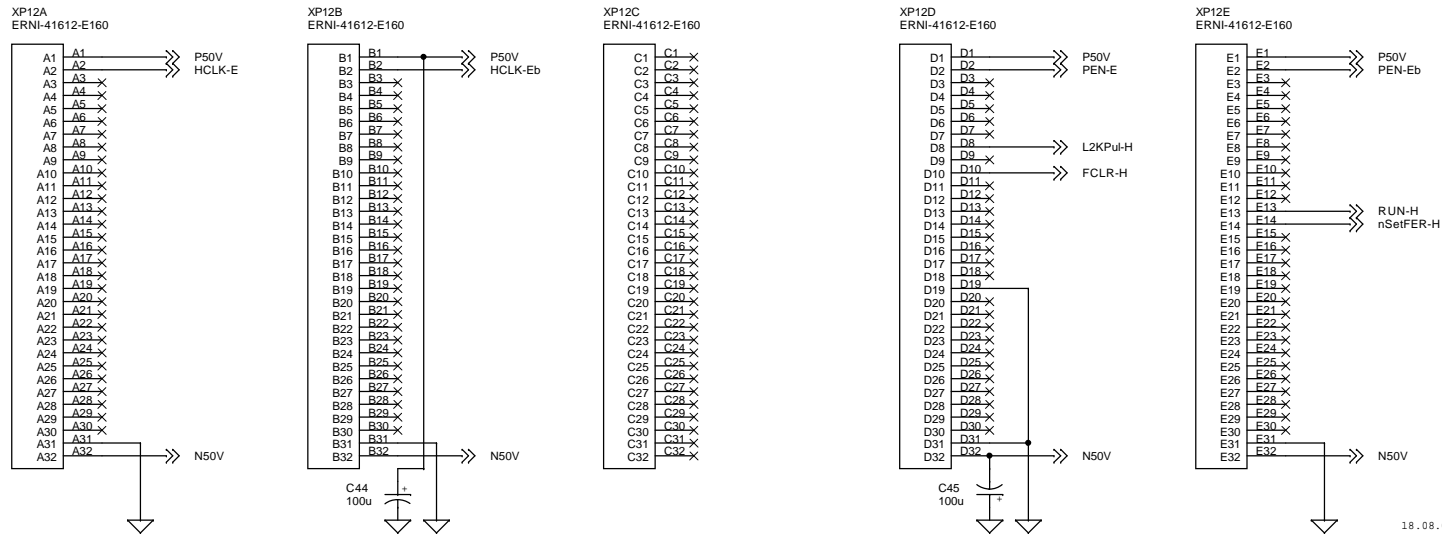


Front panel connector for the PDS cable



Rear panel connector for the power supply and H1 trigger signals



Remarks :

18.08.01 The layout error: drill holes of XP12 connector should have bigger isolation rings in the power and in the ground layers.

18.08.01 The layout error: all connectors and jumpers have very narrow isolation rings in the power and in the ground layers.

18.08.01 The layout error: all 0805 and 0603 footprints for resistors and capacitors are smaller, than necessary.

H.Henschel, I.Tsurin		
Title Front and rear panel connectors for the supply, controls and indicators		
Size	Document Number	Rev 0
Date:	Friday, September 23, 2005	Sheet 7 of 7