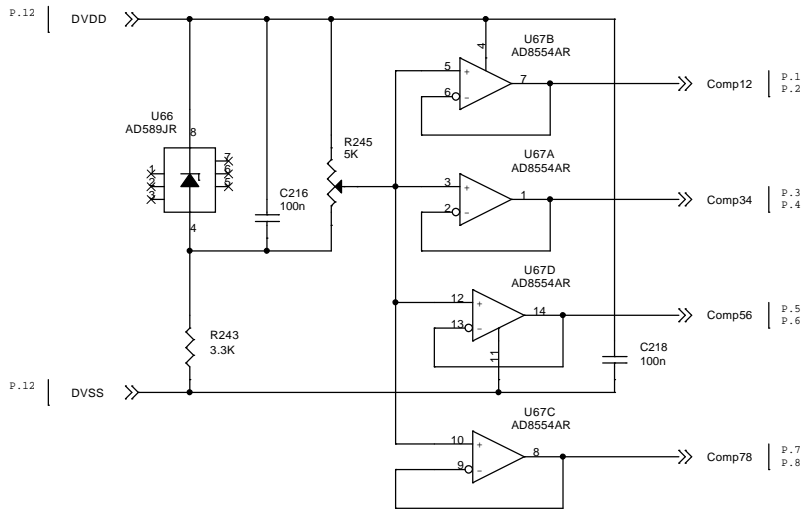
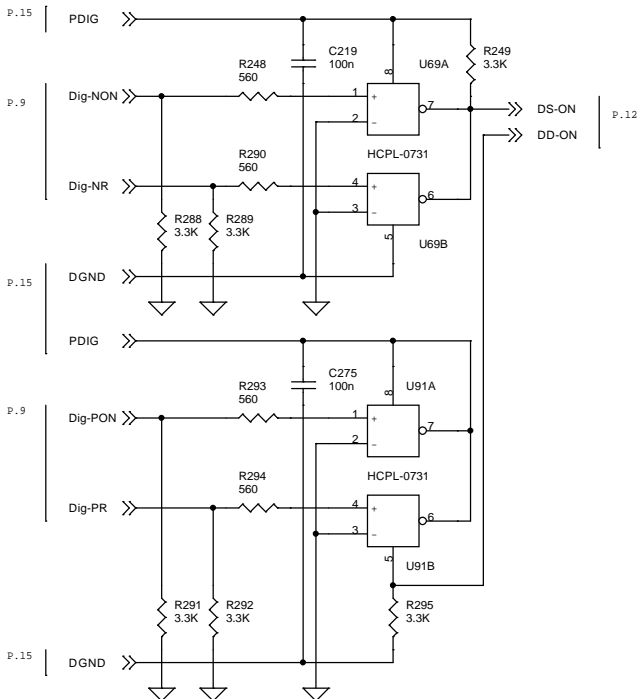


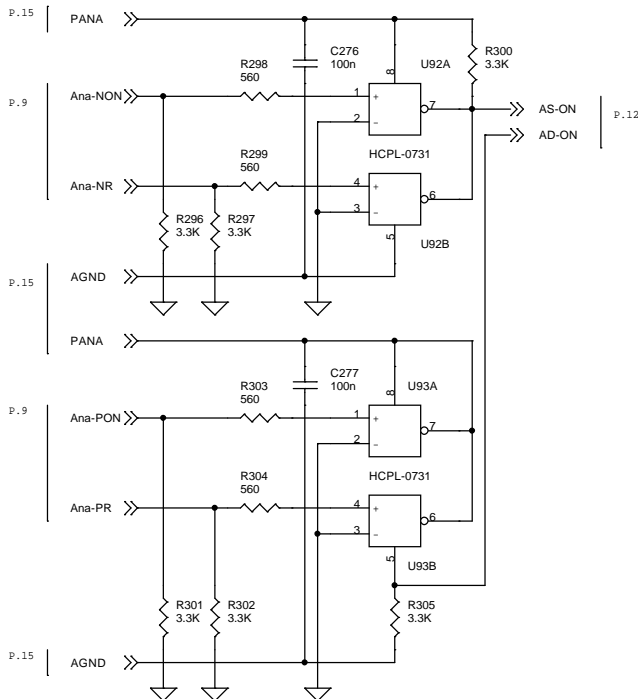
Threshold for the digital discriminator



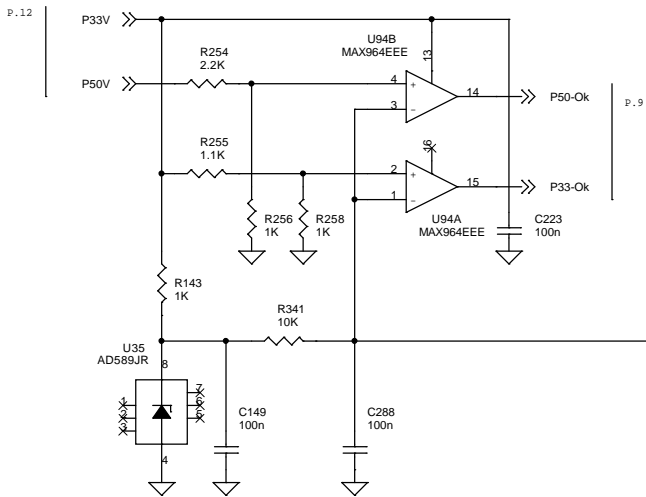
Enable DVDD and DVSS



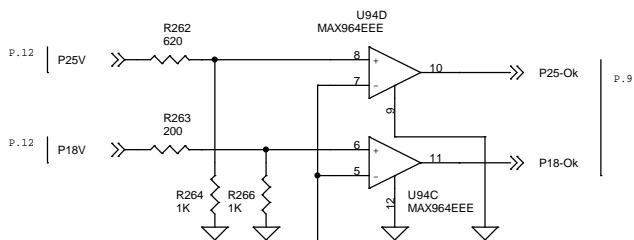
Enable AVDD and AVSS



Power supply watchdog



Power supply watchdog



H.Henschel, I.Tsurin		
Title Auxiliary circuits		
Size	Document Number	Rev 2
BST Pad trigger system: Motherboard		
Date: Friday, September 23, 2005	Sheet 13	of 15