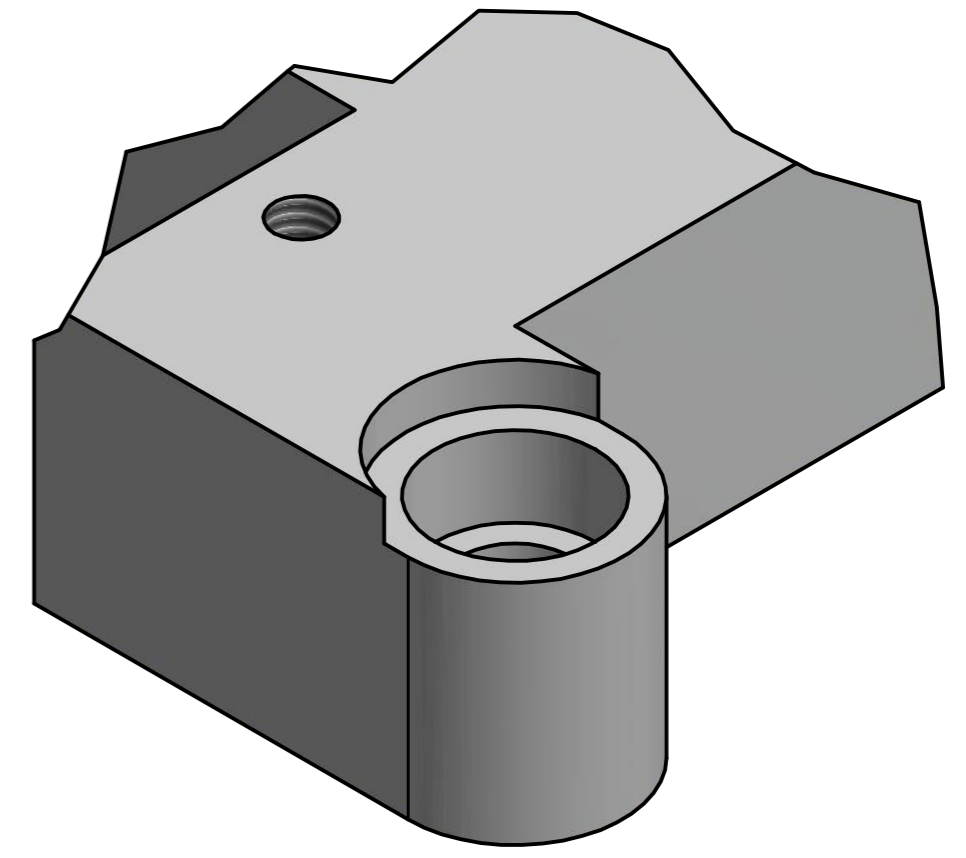


A ( 5 : 1 )



Aluminium

		Date	Name		
		Drawn	09/01/2015	Sven Wonsak	
		Checked			
		Standard			
				Plate	
				1	
				A2	
State	Changes	Date	Name		

PRODUCED BY AN AUTODESK EDUCATIONAL PRODUCT

PRODUCED BY AN AUTODESK EDUCATIONAL PRODUCT