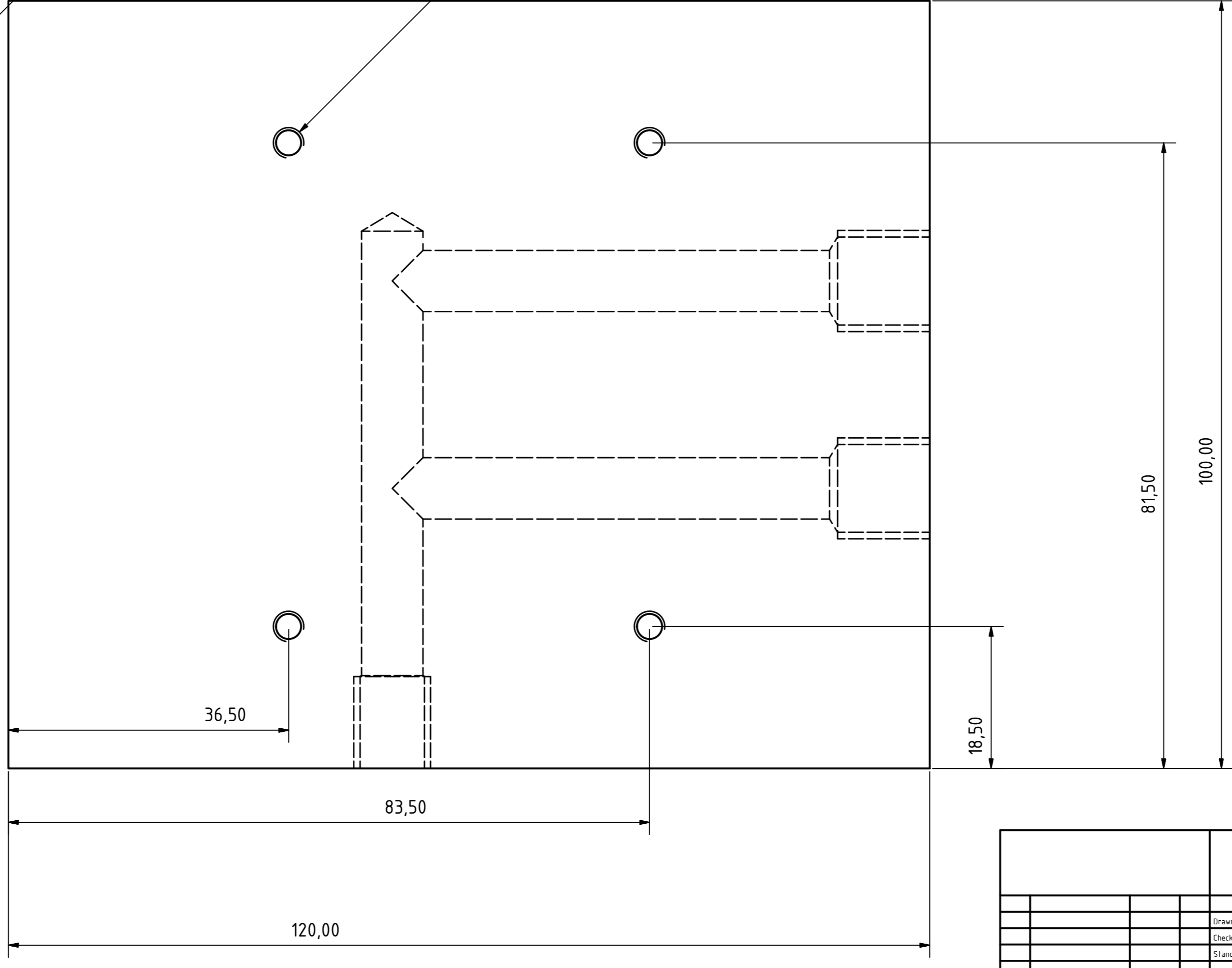
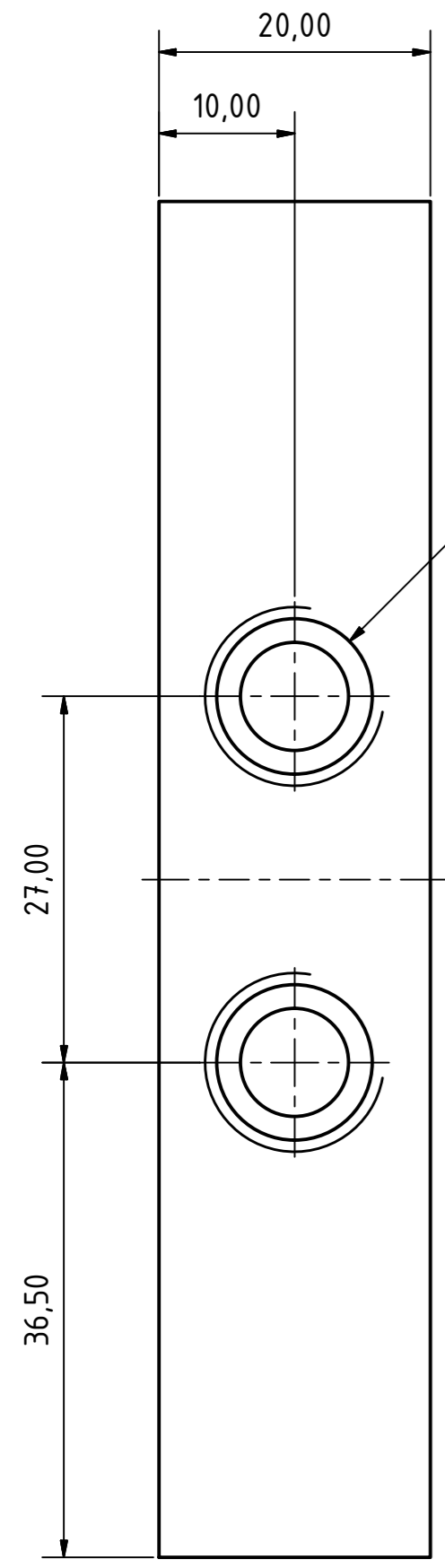
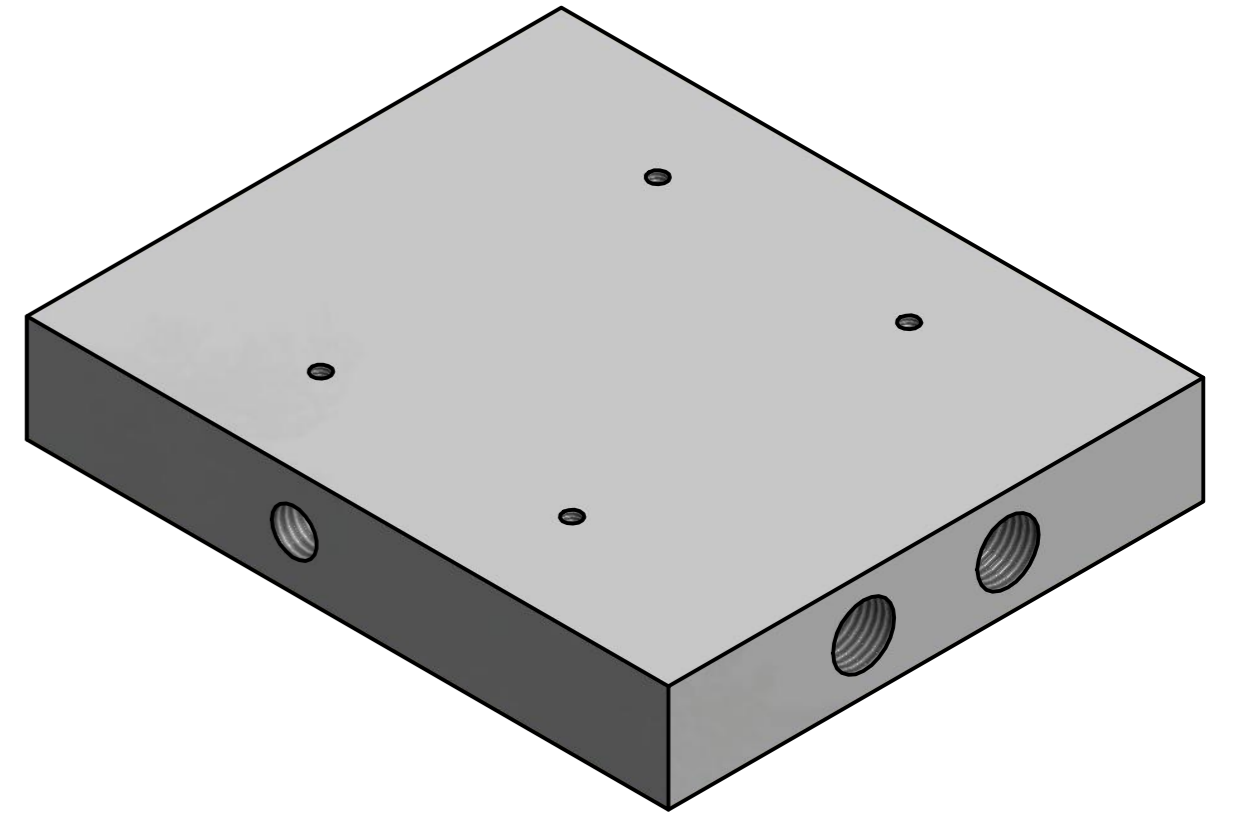


HOLE Ø8,00 - 70,00 DEEP
TAP M10,0 x 12,00 DEEP

4 HOLES M4
10,00 DEEP

2 HOLES Ø8,00 60,00 DEEP
TAP BSP 1/4" 12,00 DEEP



Aluminium

| | | | | | | | |
|-------|--|---------|--|----------|------------|-------------|--|
| State | | Changes | | Date | | Name | |
| | | | | | | | |
| | | | | Drawn | 09/01/2015 | Sven Wonsak | |
| | | | | Checked | | | |
| | | | | Standard | | | |
| | | | | | | Chuck | |
| | | | | | | 1 | |
| | | | | | | A2 | |