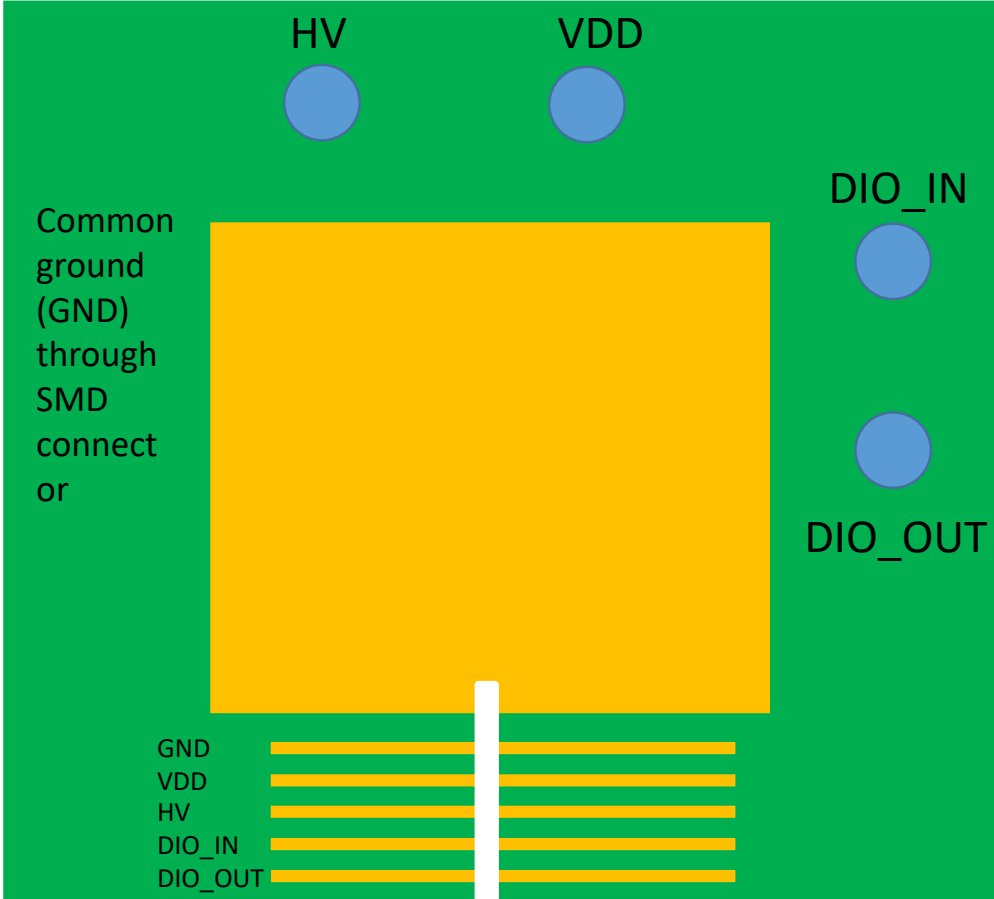
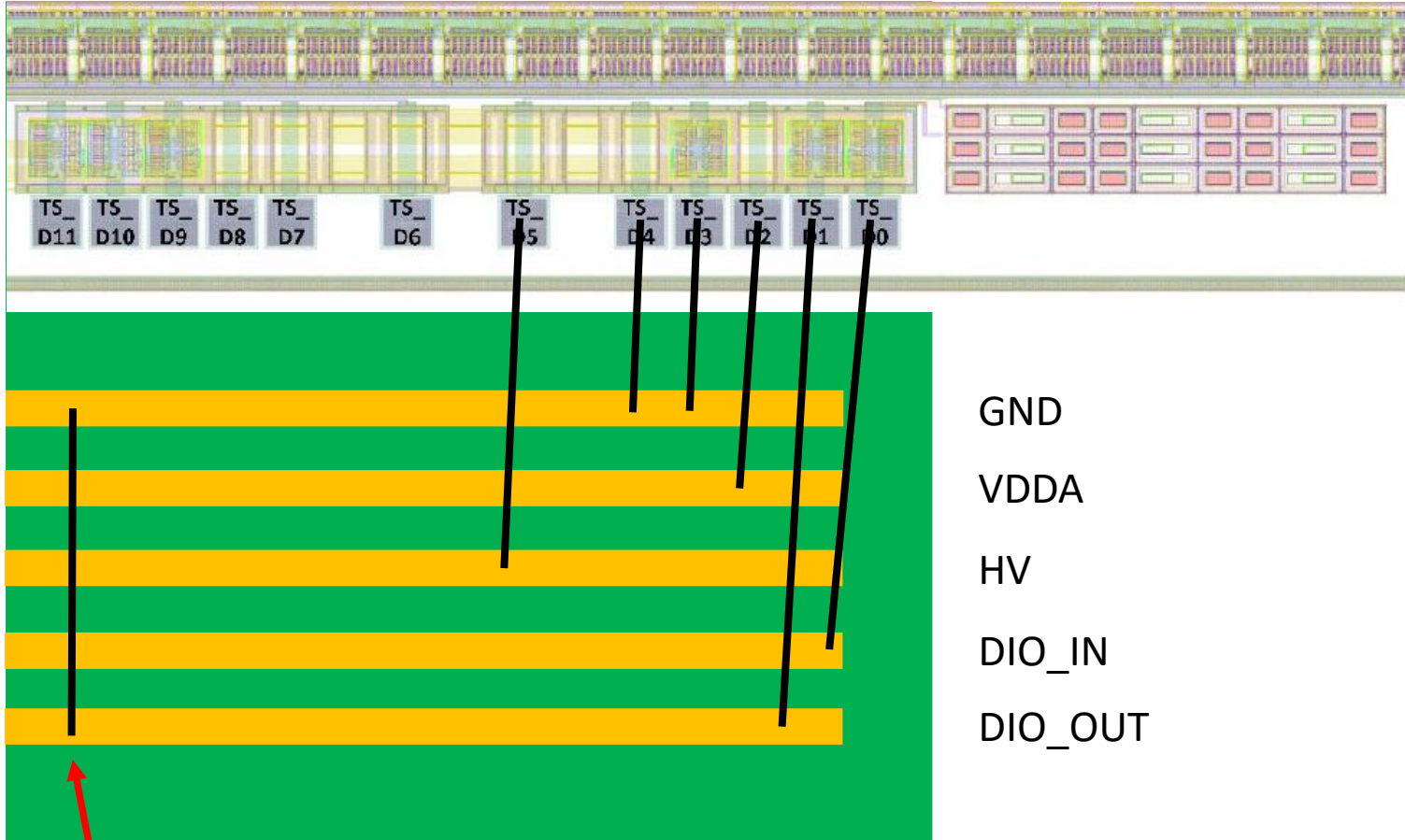


H35DEMO wirebonding





If `DIO_OUT`
readout not
possible