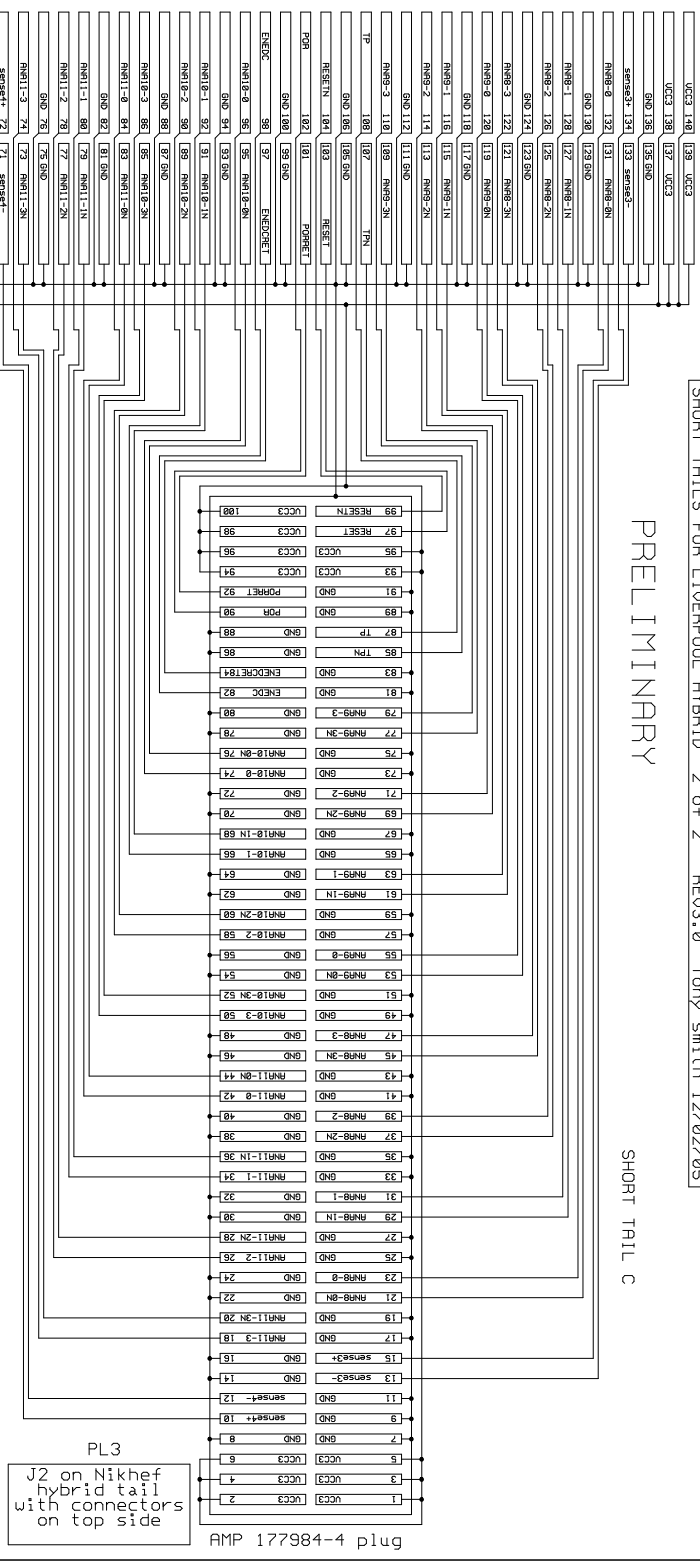


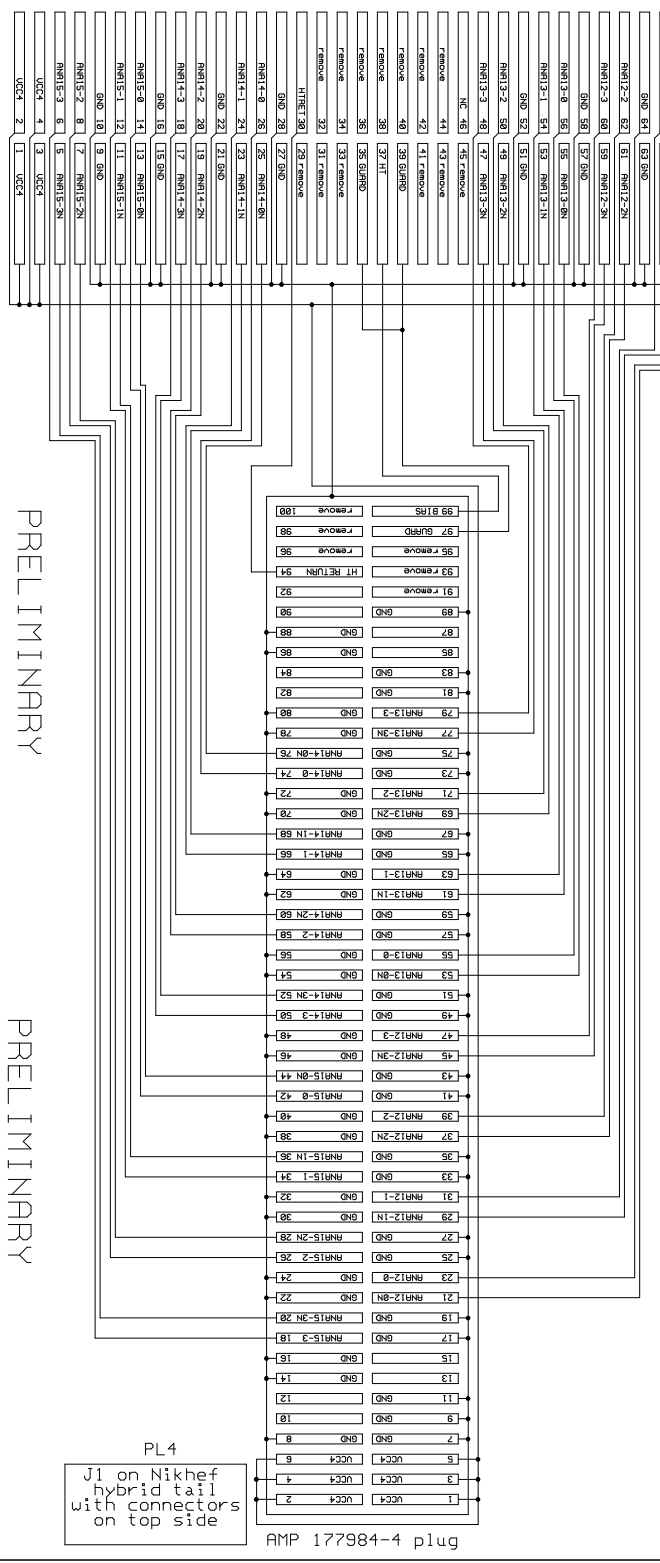
PRELIMINARY

SHORT TAIL C



PRELIMINARY

SHORT TAIL D (LEFTMOST)



J1 on Nikhef hybrid tail with connectors on top side

J2 on Nikhef hybrid tail with connectors on top side

PRELIMINARY

PRELIMINARY