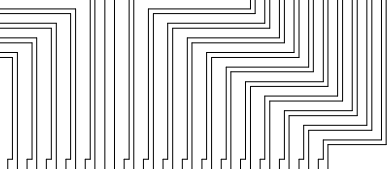
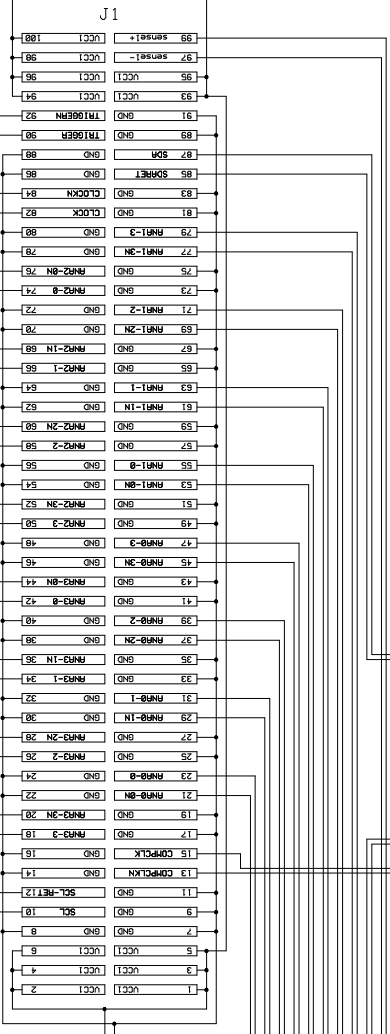


JR R & C 9 ARE 28 PIN WIRELESS SWITCH ALLOW THE 5 CONTROL LINES REMAINING ON 4-4 TO BE CONNECTED INDEED TO 411 WHEN USING THE NUMBER 1 HYBRID FOR THE BOARD AND CONTINUE LINKS BETWEEN 180 AND 190 TO PROVIDE A DEFAULT FOR THE SWITCHING. THE CONNECTIONS BETWEEN 180 AND 190 ARE NOT REQUIRED BETWEEN THE TWO J1B SUCH AS NUMBERED THIS ON THESE CONNECTIONS ARE BRIDGED

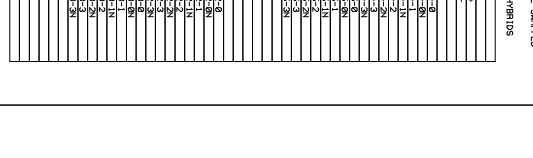
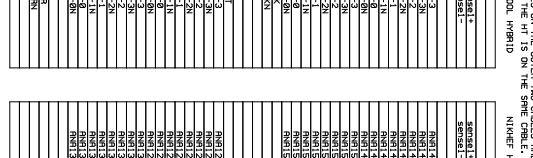
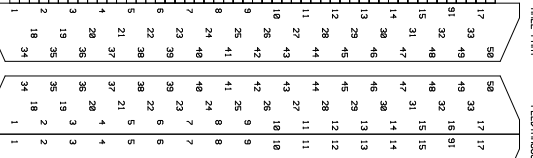
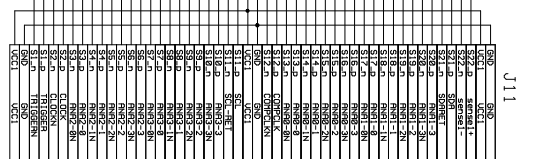
JR R & C 9 ARE 28 PIN WIRELESS SWITCH ALLOW THE 5 CONTROL LINES REMAINING ON 4-4 TO BE CONNECTED INDEED TO 411 WHEN USING THE NUMBER 1 HYBRID FOR THE BOARD AND CONTINUE LINKS BETWEEN 180 AND 190 TO PROVIDE A DEFAULT FOR THE SWITCHING. THE CONNECTIONS BETWEEN 180 AND 190 ARE NOT REQUIRED BETWEEN THE TWO J1B SUCH AS NUMBERED THIS ON THESE CONNECTIONS ARE BRIDGED

PRELIMINARY

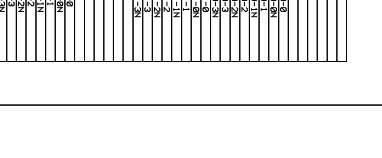
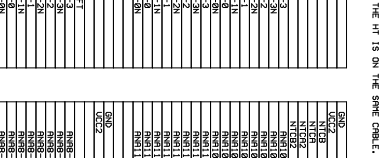
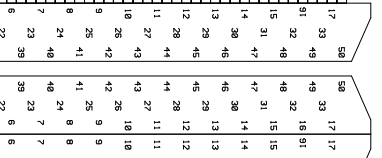
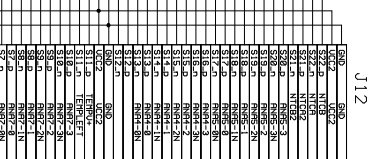
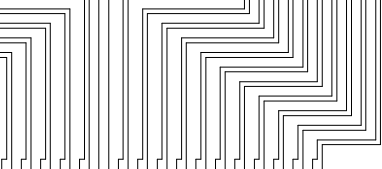
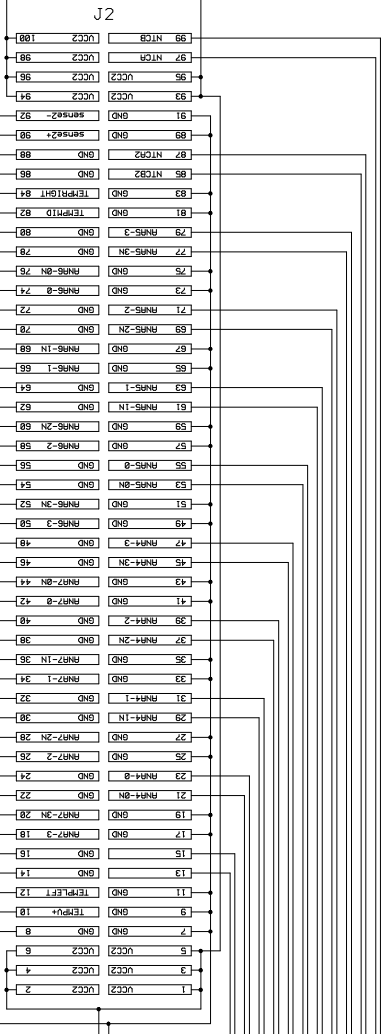
N.B. NUMBER WIRELESS SWITCH CONNECTIONS ON AMPING SIZE OF THIS SO THE PATTERN IS DIFFERENT TO THE OTHER TWO. THESE CONNECTIONS ARE ON THE OUTER TWO CHANNELS AND SHIPPED NUMBER 1 HYBRIDS



LONG TAIL B



AMP 177983-4 receptacle



PRELIMINARY

PRELIMINARY

PRELIMINARY

USE THE PART IF NOT USING FEEDTHROUGH

USE THE PART IF NOT USING FEEDTHROUGH

USE THE PART IF NOT USING FEEDTHROUGH

USE THE PART IF NOT USING FEEDTHROUGH