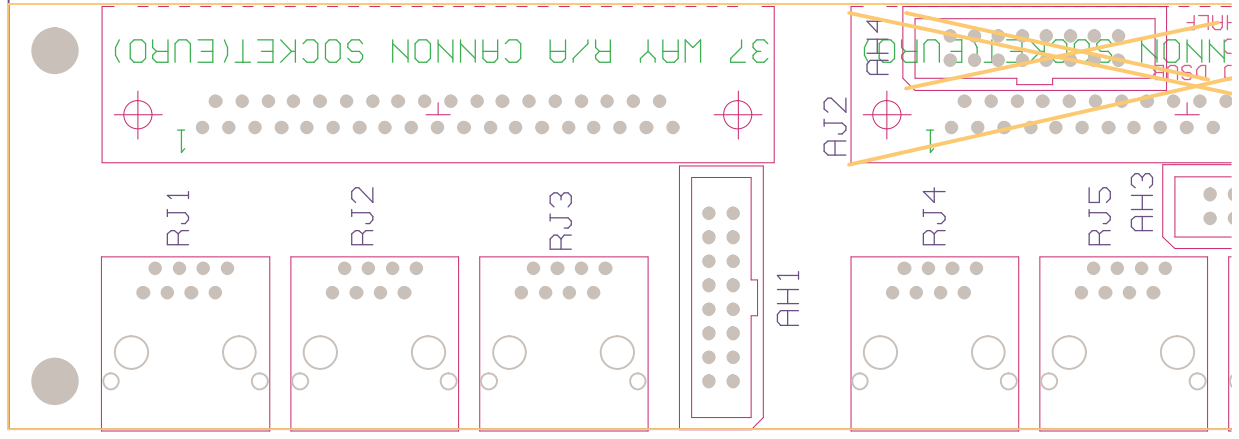
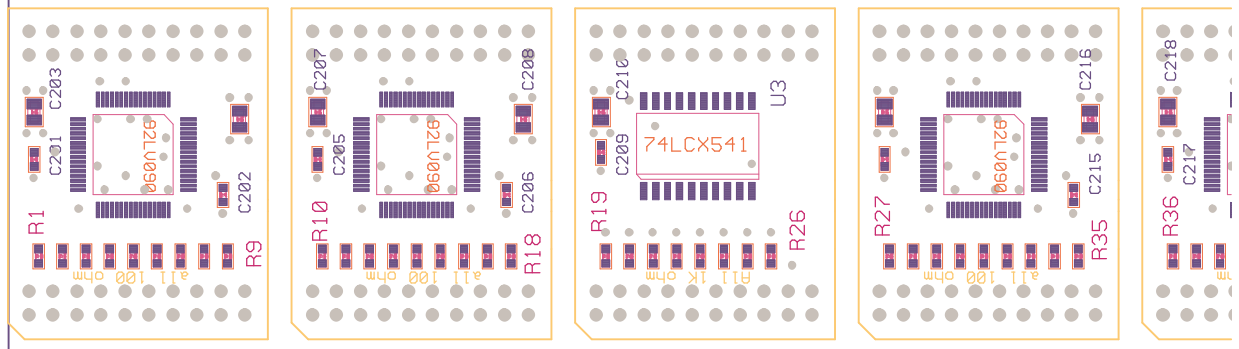
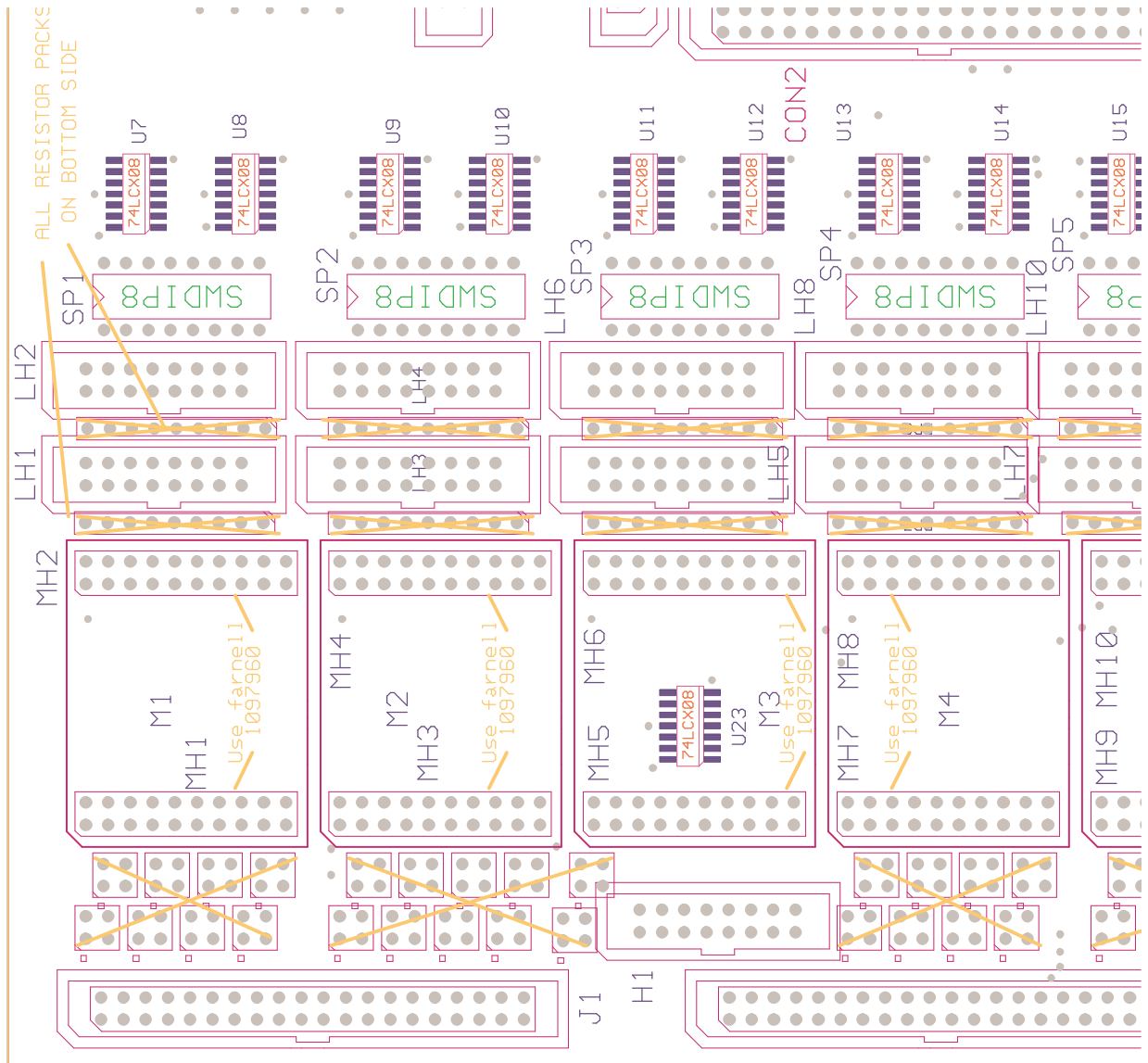
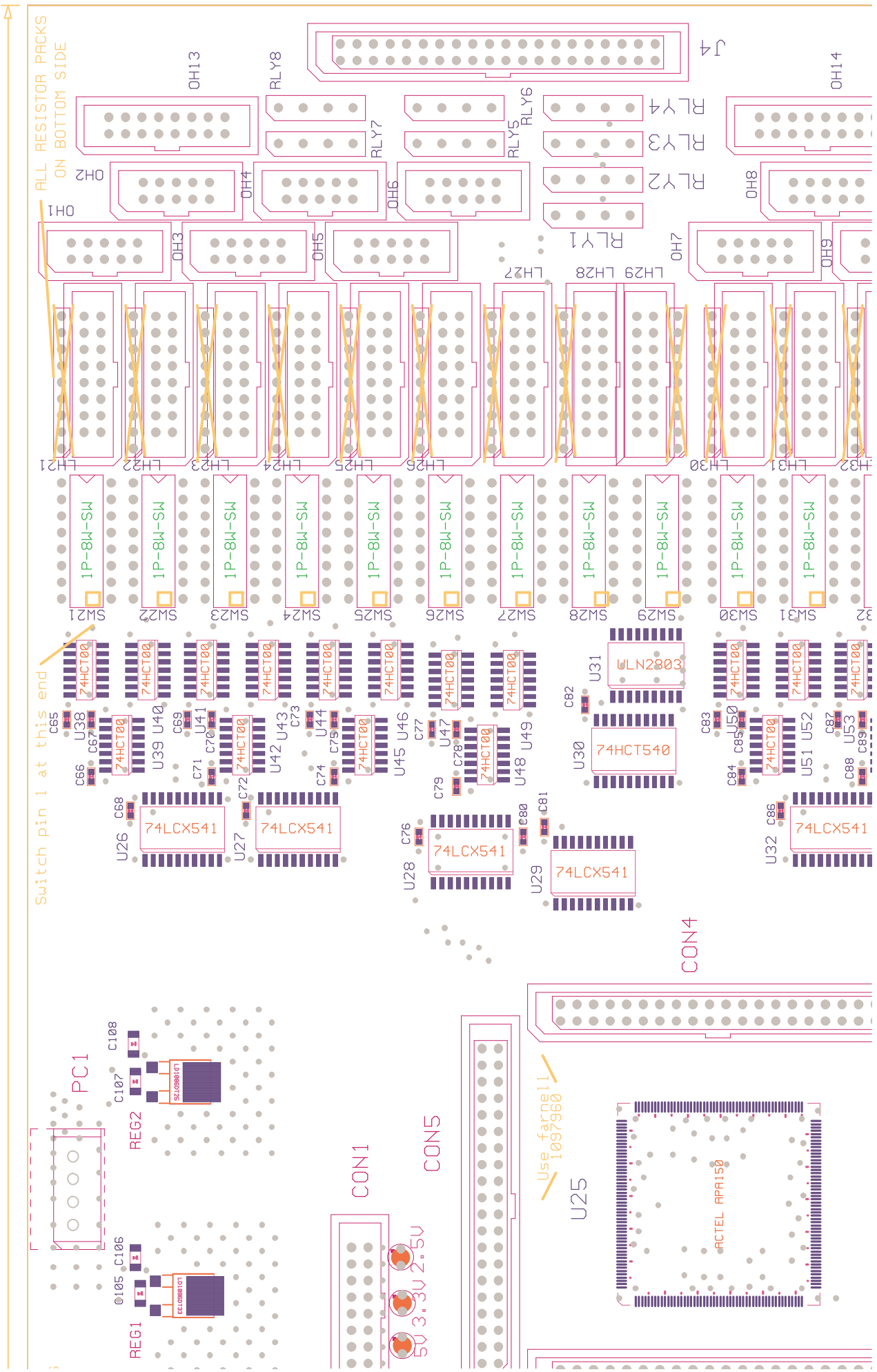


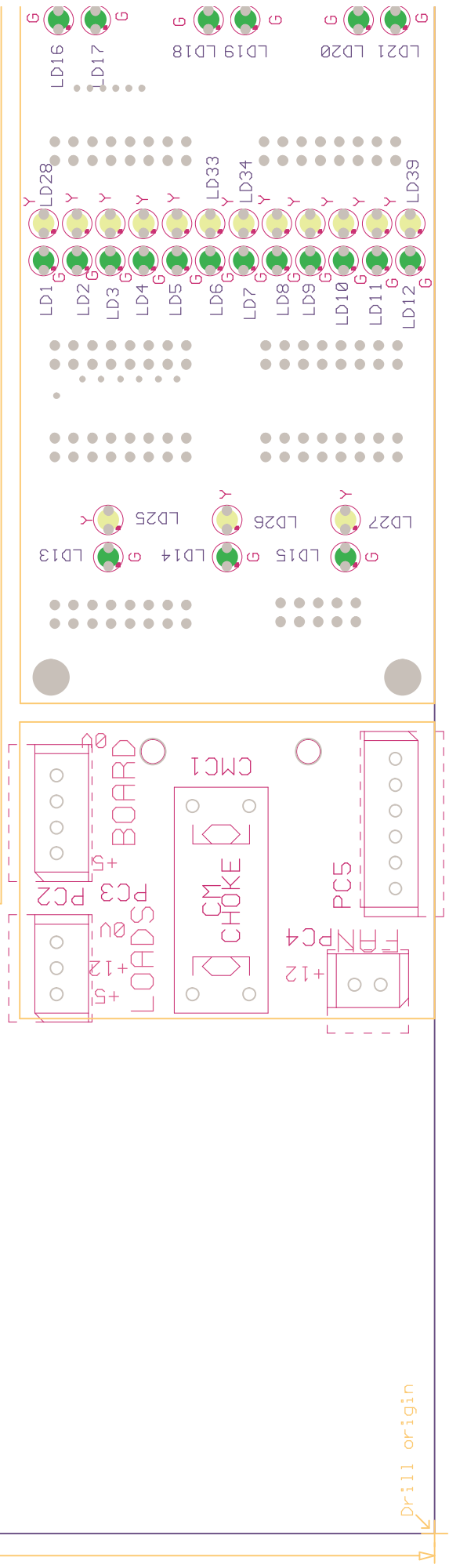
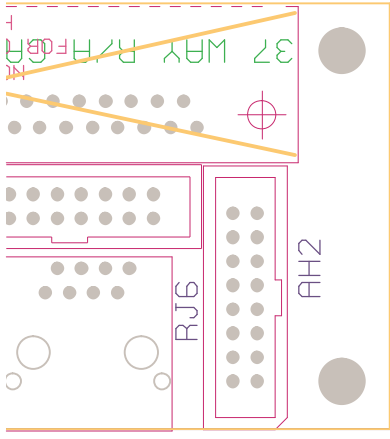
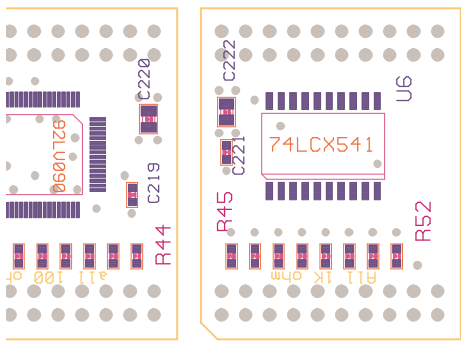
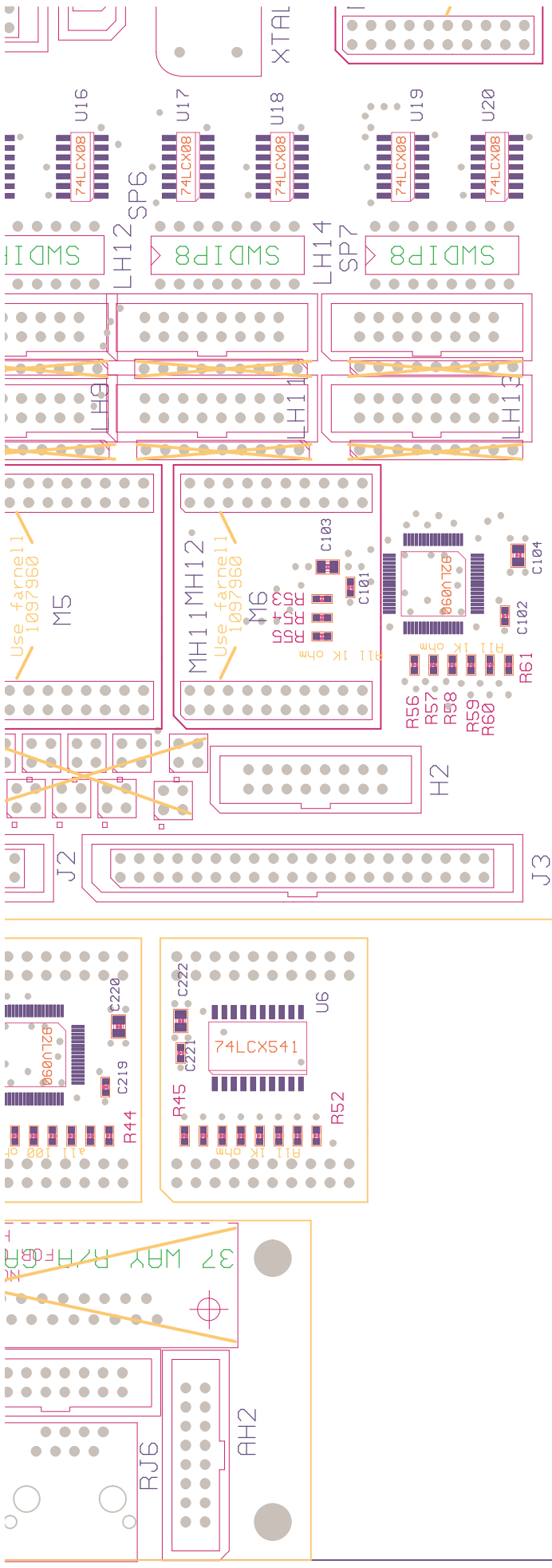
41.5mm

ALL RESISTOR PACKS
ON BOTTOM SIDE



263mm





Drill origin

Use_farnell
1097960

