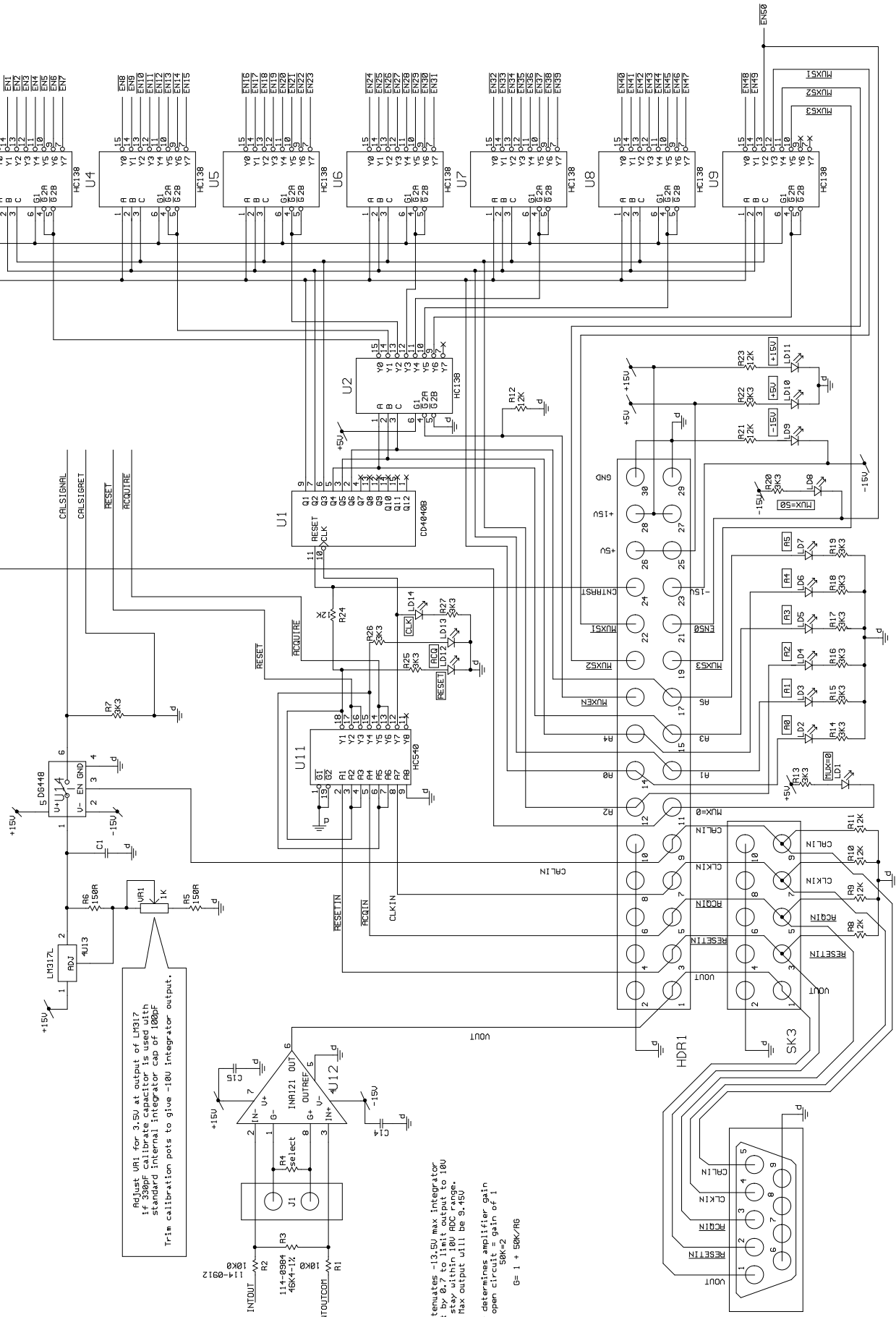


NOTE 1 the HOLD line has been renamed to ACQUIRE This reflects the true polarity of the signal  
 On the first iteration of the PCB the HOLD name is retained



Adjust UR1 for 3.5V at output of LM317  
 1.538pF calibrate capacitor is used with  
 standard integrator cap of 100pF  
 Trim calibration pots to give -10V integrator output.

R3 attenuates -13.5V max integrator  
 output to 0.5V max output to 10V  
 to 45% with 10V 0.05% tolerance  
 Max output will be 9.45V  
 R4 determines amplifier gain  
 open circuit = gain of 1  
 $G = 1 + 50k/R4$