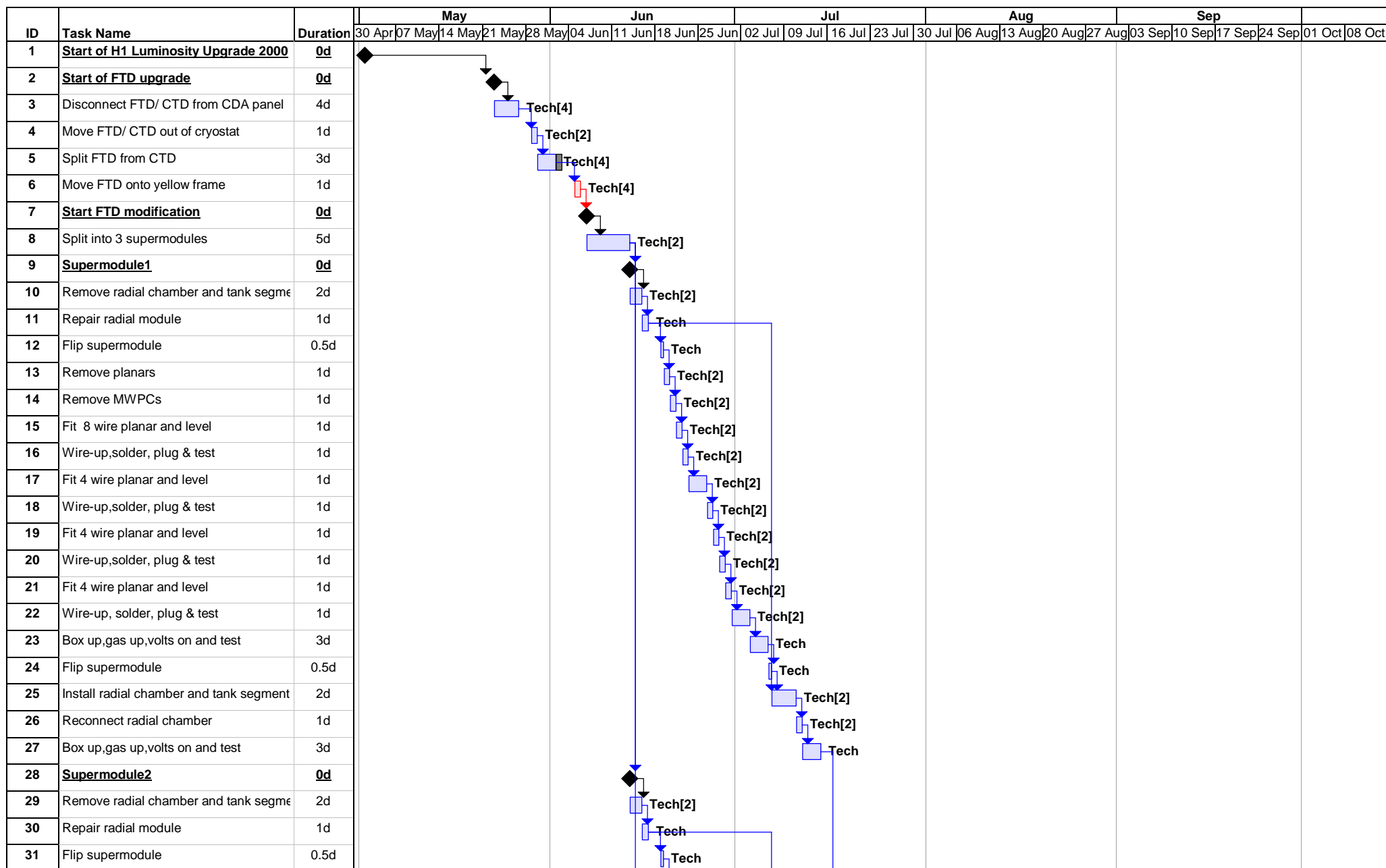


H1 FORWARD TRACKER SHUTDOWN SCHEDULE

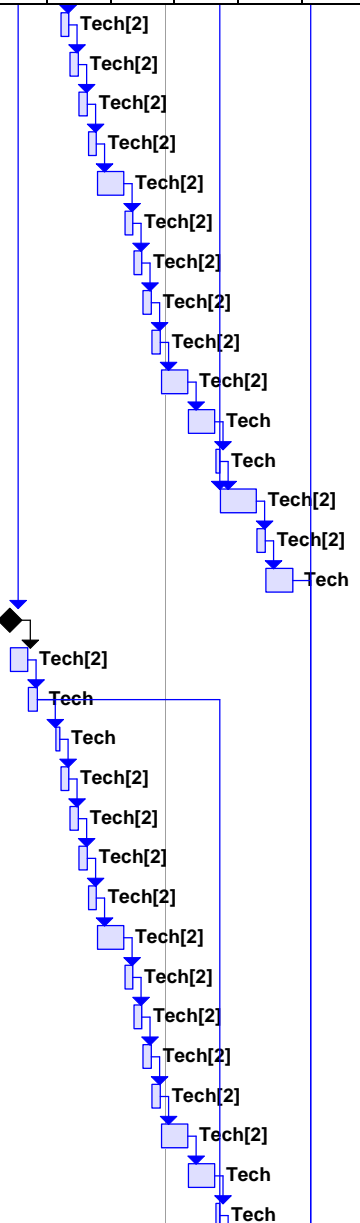
Tue 25/05/99



H1 FORWARD TRACKER SHUTDOWN SCHEDULE

Tue 25/05/99

ID	Task Name	Duration	May				Jun				Jul				Aug				Sep							
			30 Apr	07 May	14 May	21 May	28 May	04 Jun	11 Jun	18 Jun	25 Jun	02 Jul	09 Jul	16 Jul	23 Jul	30 Jul	06 Aug	13 Aug	20 Aug	27 Aug	03 Sep	10 Sep	17 Sep	24 Sep	01 Oct	08 Oct
32	Remove planars	1d																								
33	Remove MWPCs	1d																								
34	Fit 8 wire planar and level	1d																								
35	Wire-up, solder, plug & test	1d																								
36	Fit 4 wire planar and level	1d																								
37	Wire-up, solder, plug & test	1d																								
38	Fit 4 wire planar and level	1d																								
39	Wire-up, solder, plug & test	1d																								
40	Fit 4 wire planar and level	1d																								
41	Wire-up, solder, plug & test	1d																								
42	Box up, gas up, volts on and test	3d																								
43	Flip supermodule	0.5d																								
44	Install radial chamber and tank segment	2d																								
45	Reconnect radial chamber	1d																								
46	Box up, gas up, volts on and test	3d																								
47	Supermodule3	0d																								
48	Remove radial chamber and tank segment	2d																								
49	Repair radial module	1d																								
50	Flip supermodule	0.5d																								
51	Remove planars	1d																								
52	Remove MWPCs	1d																								
53	Fit 8 wire planar and level	1d																								
54	Wire-up, solder, plug & test	1d																								
55	Fit 4 wire planar and level	1d																								
56	Wire-up, solder, plug & test	1d																								
57	Fit 4 wire planar and level	1d																								
58	Wire-up, solder, plug & test	1d																								
59	Fit 4 wire planar and level	1d																								
60	Wire-up, solder, plug & test	1d																								
61	Box up, gas up, volts on and test	3d																								
62	Flip supermodule	0.5d																								



H1 FORWARD TRACKER SHUTDOWN SCHEDULE

Tue 25/05/99

ID	Task Name	Duration	May				Jun				Jul				Aug				Sep				Oct		
			30 Apr	07 May	14 May	21 May	28 May	04 Jun	11 Jun	18 Jun	25 Jun	02 Jul	09 Jul	16 Jul	23 Jul	30 Jul	06 Aug	13 Aug	20 Aug	27 Aug	03 Sep	10 Sep	17 Sep	24 Sep	01 Oct
63	Install radial chamber and tank segment	2d																							
64	Reconnect radial chamber	1d																							
65	Box up, gas up, volts on and test	3d																							
66	Re-assemble supermodules	5d																							
67	Check f/thros, gas up and leak chase	5d																							
68	Reconnect external cables	10d																							
69	Pulse, preamp and volt tests in air	5d																							
70	FTD modifications complete	0d																							
71	Transport FTD to HERA North Hall	1d																							
72	Install GOB support between FTD/CTD	5d																							
73	Connect FTD/CTD	10d																							
74	Move FTD/CTD into cryostat	2d																							
75	Connect FTD/CTD to CDA panel and te	10d																							
76	FTD installation complete	0d																							

